



CONFIDENTIAL

LG Air Conditioner

SVC MANUAL(Exploded View)

MODEL : ZMNW05GTRA0 (MT06R NR0)
ZMNW07GTRA0 (MT08R NR0)

CAUTION

Before Servicing the unit, read the safety precautions in General SVC manual.
Only for authorized service personnel.

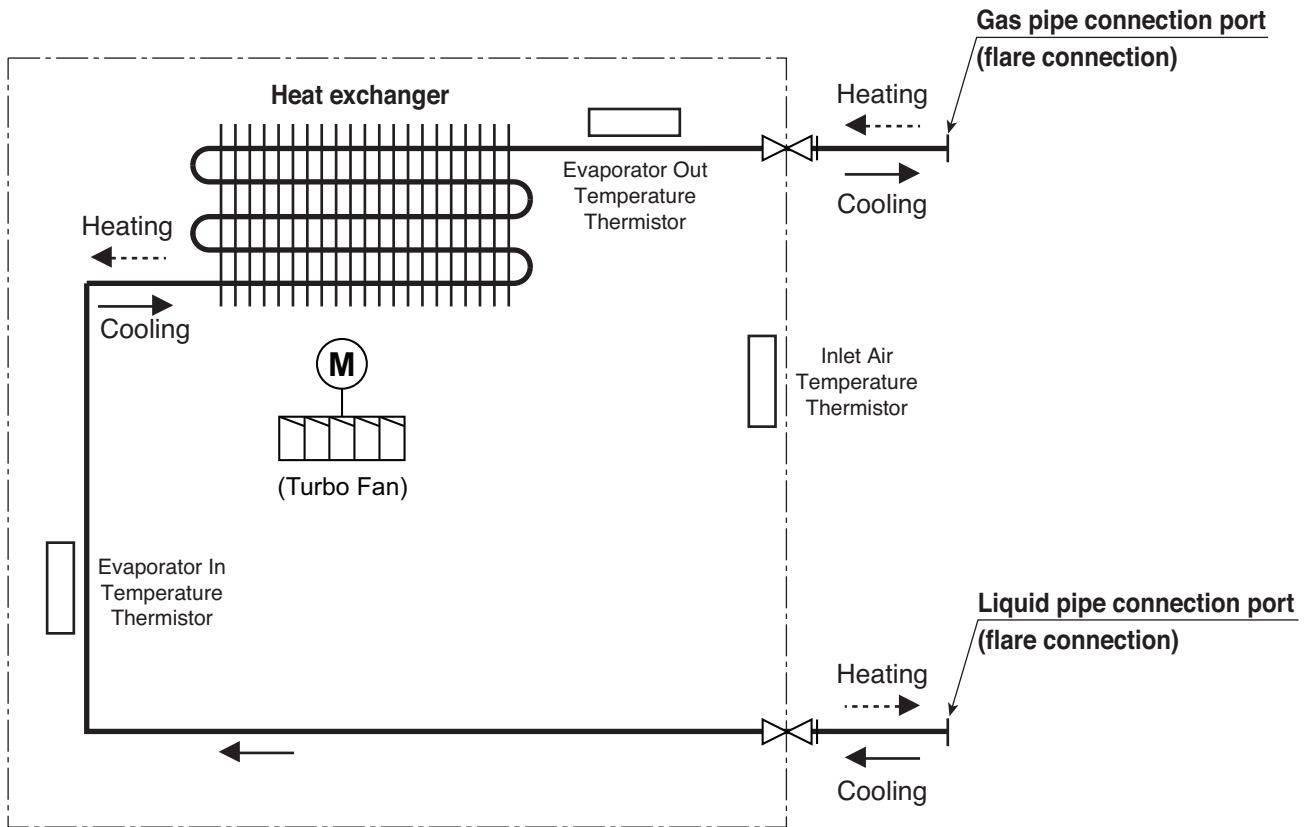
1. Specification

Model Name			Unit	ZMNW05GTRA0 [MT06R NR0]	ZMNW07GTRA0 [MT08R NR0]
Power Supply			V, Ø, Hz	220-240, 1, 50 220, 1, 60	220-240, 1, 50 220, 1, 60
Casing				-	-
Dimensions		W x H x D	mm	570 × 214 × 570	570 × 214 × 570
Net Weight			kg	11.7	11.7
Shipping Weight			kg	14.8	14.8
Heat Exchanger	Rows x Columns x FPI			1 x 8 x 18	1 x 8 x 18
	Face Area		m ²	0.21	0.21
Fan Type				Turbo Fan	Turbo Fan
Air Flow Rate		H / M / L	m ³ /min	7.5 / 6.0 / 5.0	7.5 / 6.0 / 5.0
Fan Motor	Type			BLDC	BLDC
	Drive			Internal	Internal
	Output		W x No.	43 x 1	43 x 1
	Power Input	Min./ Nom./ Max	W	10 / 20 / 20	10 / 20 / 20
FLA (Full Load Ampere)		A	0.4	0.4	
Dehumidification Rate			ℓ/h	-	-
Safety Device				Fuse / Thermal Protector for Fan Motor	
Piping Connections	Liquid Side		mm (inch)	Ø 6.35 (1/4)	Ø 6.35 (1/4)
	Gas Side		mm (inch)	Ø 9.52 (3/8)	Ø 9.52 (3/8)
	Drain Pipe	O.D. / I.D.	mm	Ø 32.0 / 25.0	Ø 32.0 / 25.0
Sound Pressure Level	Cooling	H / M / L	dB(A)	31 / 27 / 24	31 / 27 / 24
Sound Power Level	Cooling	Max.	dB(A)	48	48
Power and Communication Cable (included Earth)			No. x mm ²	4C x 0.75	4C x 0.75
Decoration Panel	Model Name			PT-QCHW0	PT-QCHW0
	Color			Morning Fog	Morning Fog
	Dimensions	W x H x D	mm	620 × 34 × 620	620 × 34 × 620
	Net Weight		kg	3.0	3.0
	Shipping Weight		kg	4.1	4.1

Note :

- All data are based on the following conditions:
 - Cooling Temperature : Indoor 27°C(80.6°F) DB / 19°C(66.2°F) WB
Outdoor 35°C(95°F) DB / 24°C(75.2°F) WB
 - Heating Temperature : Indoor 20°C(68°F) DB / 15°C(59°F) WB
Outdoor 7°C(44.6°F) DB / 6°C(42.8°F) WB
 - Piping Length : Interconnected Pipe Length = 7.5m
 - Difference Limit of Elevation (Outdoor ~ Indoor Unit) is Zero.
- Wiring cable size must comply with the applicable local and national code.
- Due to our policy of innovation some specifications may be changed without notification.
- Sound Level Values are measured at Anechoic chamber.
Therefore, these values can be increased (maximum 3dB(A)) owing to ambient conditions during operation.

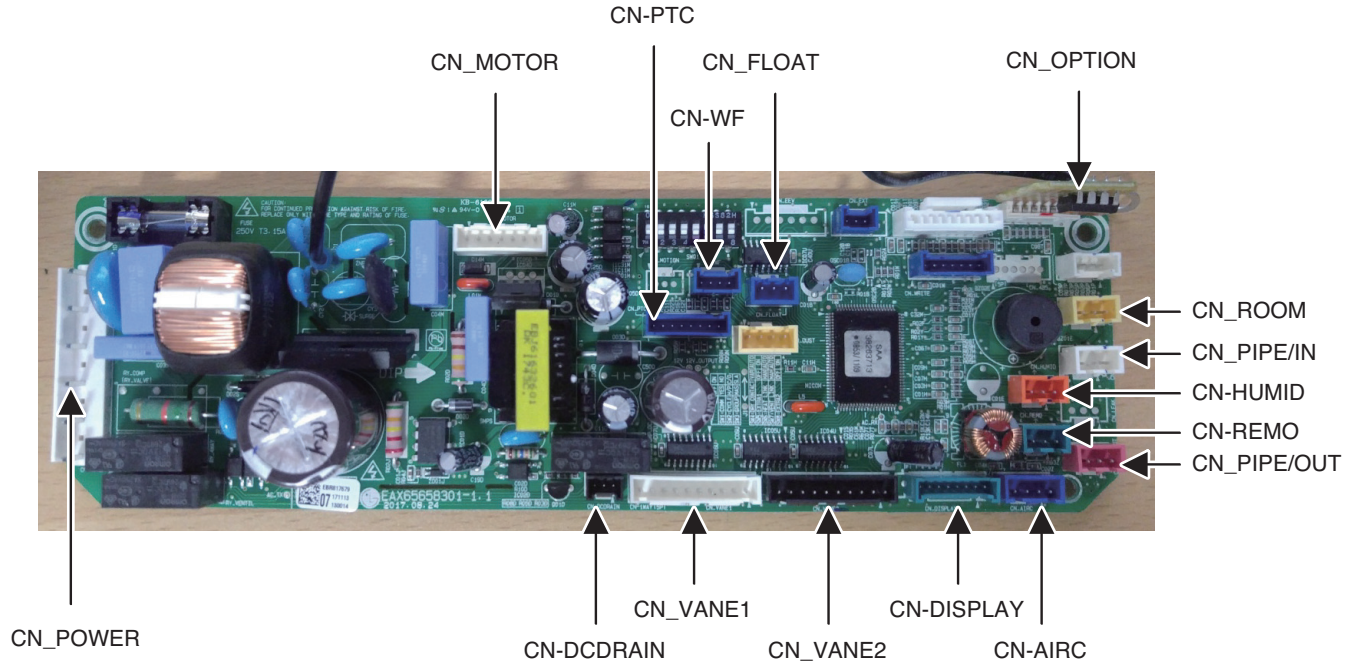
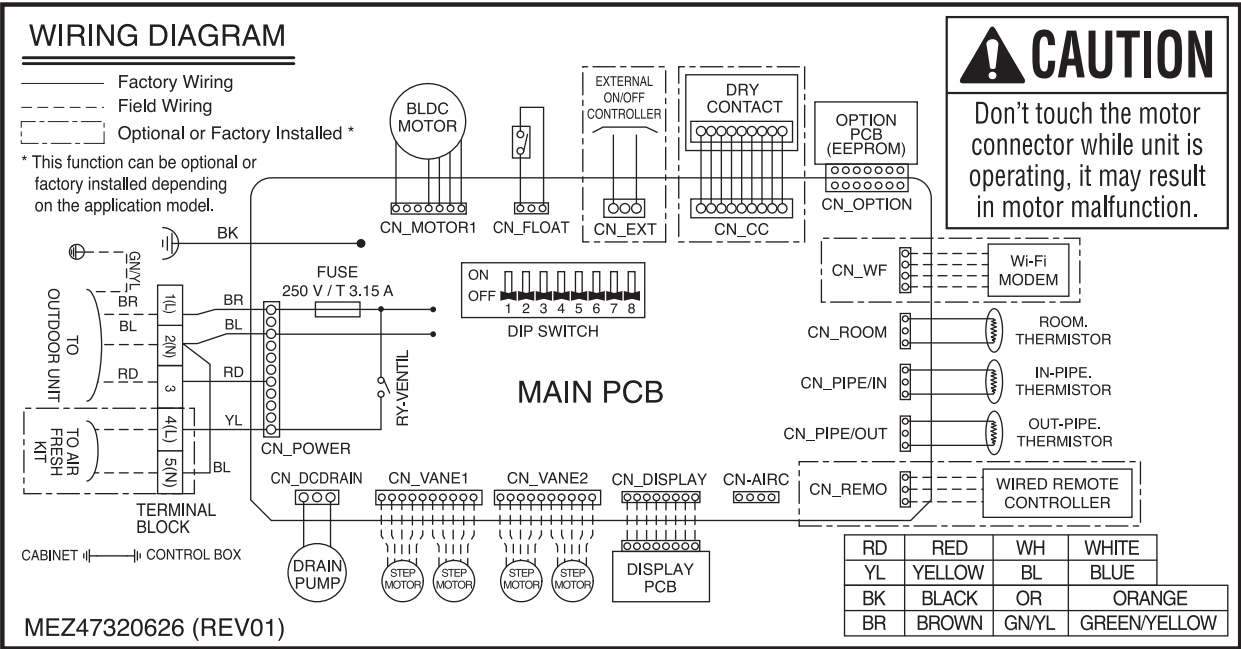
2. Piping Diagrams



Description	PCB Connector
Inlet Air Temperature Thermistor	CN-ROOM
Evaporator In Temperature Thermistor	CN-PIPE/IN
Evaporator Out Temperature Thermistor	CN-PIPE/OUT

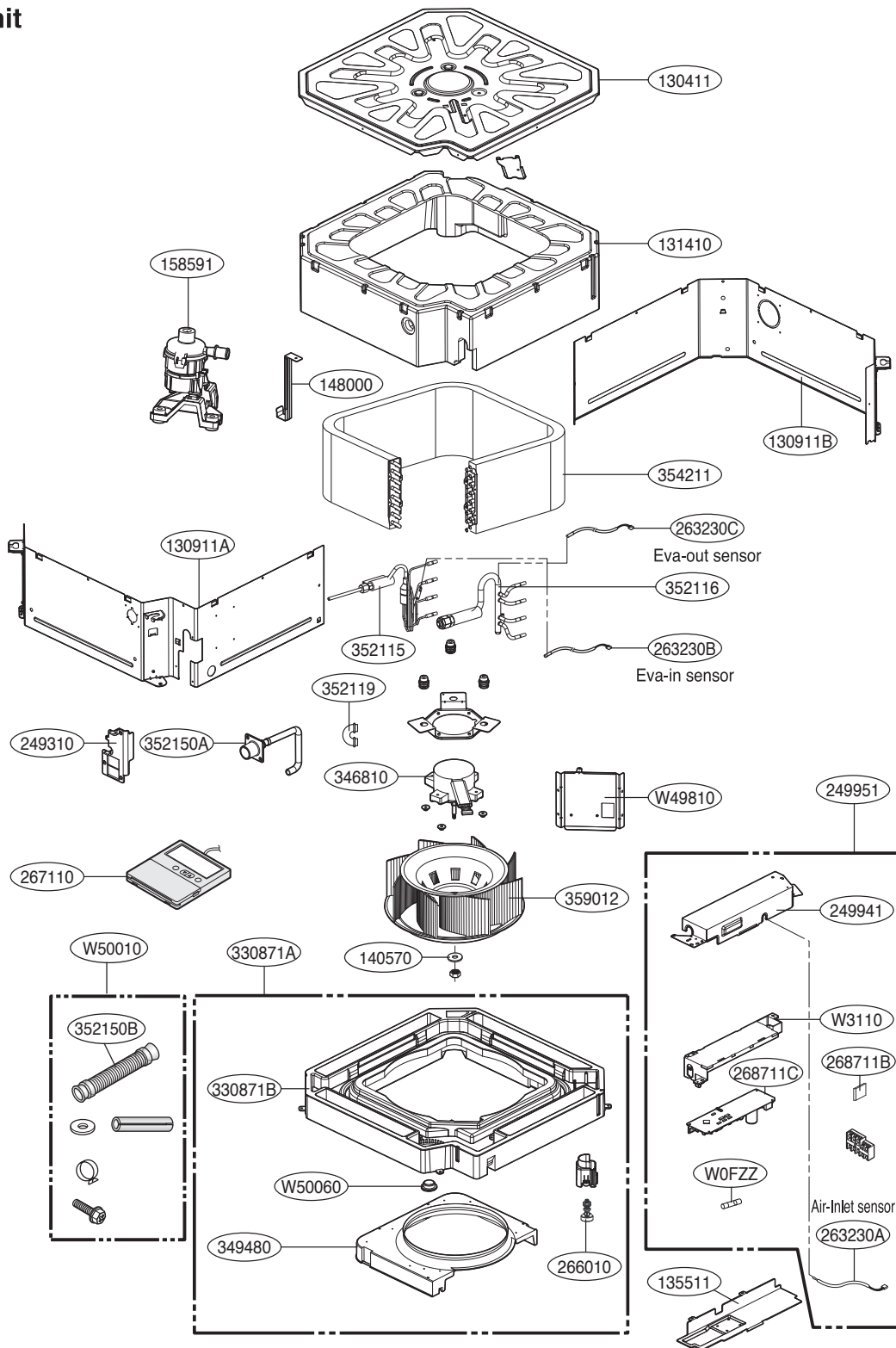
3. Wiring Diagrams

Indoor Unit



5. Exploded View

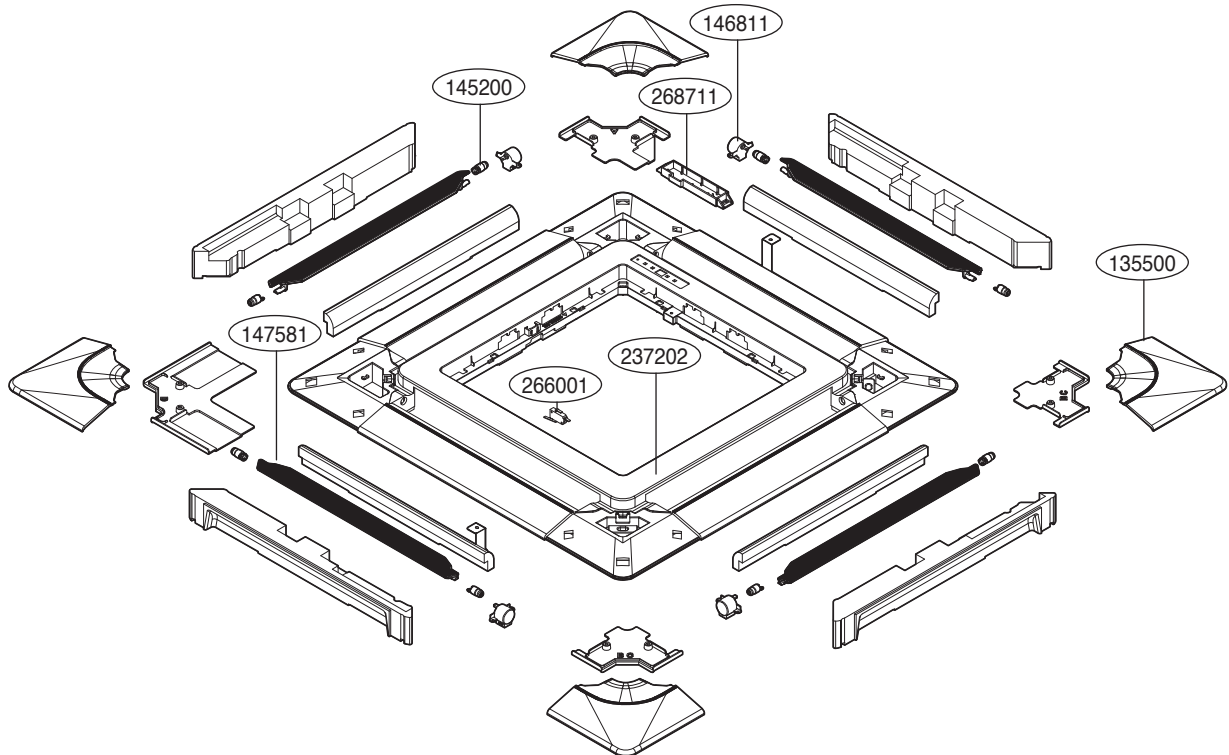
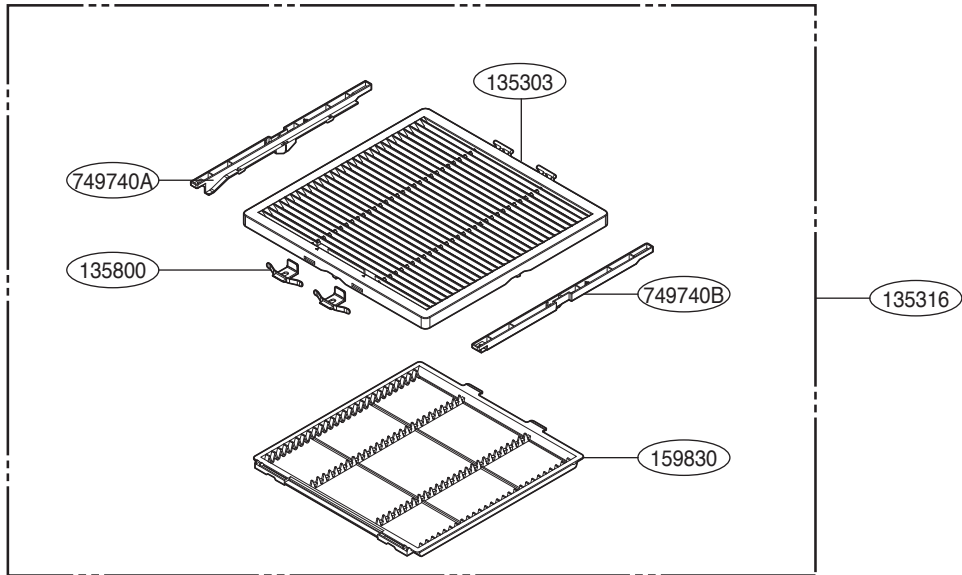
Indoor Unit



Location No.	Description	Sensor Information	Housing Color
263230A	Thermistor1(CN_ROOM)	Air-Inlet	Yellow
263230B	Thermistor2(CN_PIPE/IN)	Eva-in	White
263230C	Thermistor3(CN_PIPE/OUT)	Eva-out	Red

Front Panel (Accessory)

• Model : PT-QCHW0





P/NO : MFL67523158