

PARTS CATALOG

[Model Name]

EHSD-MEE
 EHSD-VM2E
 EHSD-VM6E
 EHSD-YM9E
 EHSD-TM9E
 ERSD-VM2E
 ERSD-VM6E
 ERSD-YM9E
 ERSF-MEE
 ERSF-VM2E
 ERSF-VM6E
 ERSF-YM9E
 ERSF-TM9E
 ERSC-MEE
 ERSC-VM2E
 ERSC-VM6E
 ERSC-YM9E
 ERSE-MEE
 ERSE-YM9EE
 ERPX-ME
 ERPX-VM2E
 ERPX-VM6E
 ERPX-YM9E

[Service Ref.]

EHSD-MEE.UK
 EHSD-VM2E.UK
 EHSD-VM6E.UK
 EHSD-YM9E.UK
 EHSD-TM9E.UK
 ERSD-VM2E.UK
 ERSD-VM6E.UK
 ERSD-YM9E.UK
 ERSF-MEE.UK
 ERSF-VM2E.UK
 ERSF-VM6E.UK
 ERSF-YM9E.UK
 ERSF-TM9E.UK
 ERSC-MEE.UK
 ERSC-VM2E.UK
 ERSC-VM6E.UK
 ERSC-YM9E.UK
 ERSE-MEE.UK
 ERSE-YM9EE.UK
 ERPX-ME.UK
 ERPX-VM2E.UK
 ERPX-VM6E.UK
 ERPX-YM9E.UK

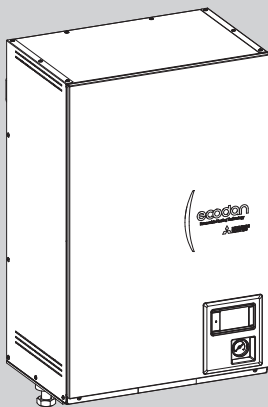
Note:

- This manual describes service data of Hydrobox only.

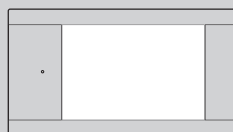
Revision:

- Revised parts lists for REVISED EDITION-B.

OCH815A is void.



HYDROBOX

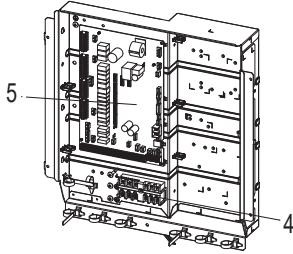

 MAIN REMOTE
CONTROLLER

CONTENTS

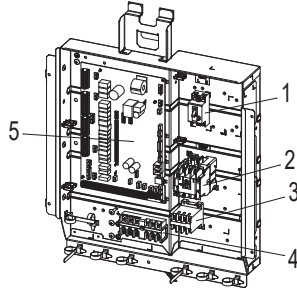
1. SERVICE PARTS LIST 2
2. OPTIONAL PARTS 26

SERVICE MANUAL (OCH815)

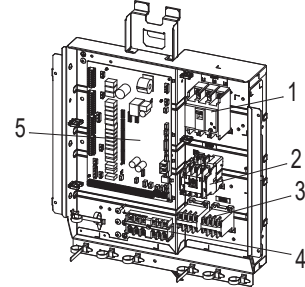
EHSD-MEE.UK



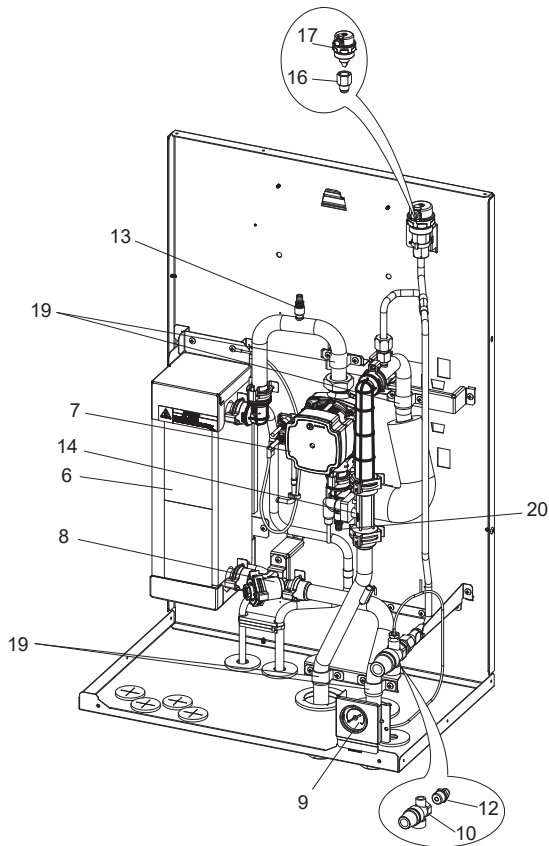
EHSD-VM2E.UK



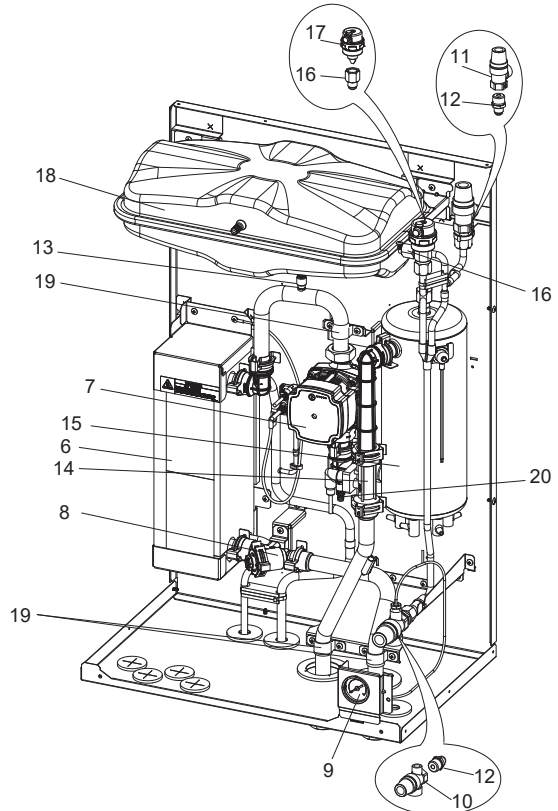
**EHSD-VM6E.UK
EHSD-YM9E.UK
EHSD-TM9E.UK**



EHSD-MEE.UK



**EHSD-VM2E.UK
EHSD-VM6E.UK
EHSD-YM9E.UK
EHSD-TM9E.UK**

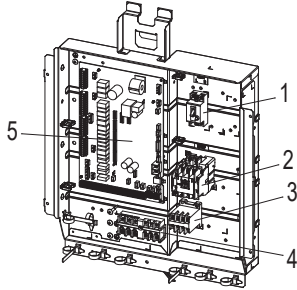


1. The part quantity below indicates the required number of pieces per unit.
2. The circled No. indicates that the part is not shown in the figure.

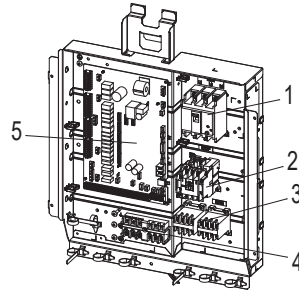
No.	Parts No.	Parts name	EHSD-MEE.UK	EHSD-VM2E.UK	EHSD-VM6E.UK	EHSD-YM9E.UK	EHSD-TM9E.UK	Wiring diagram symbol	Remarks [Drawing No.]
1	S70 C20 239	EARTH LEAKAGE BREAKER		1				ECB1	1ø 20 A
1	S70 C60 239	EARTH LEAKAGE BREAKER			1			ECB1	1ø 40 A
1	S70 C90 239	EARTH LEAKAGE BREAKER				1	1	ECB1	3ø 30 A
2	S70 C51 708	CONTACTOR		1					
2	S70 C49 708	CONTACTOR			1		1		45 A
2	S70 C50 708	CONTACTOR				1			
3	S70 C39 708	CONTACTOR		1	2	2	2	BHCP, BHC1, BHC2	30 A
4	S70 C20 515	TERMINAL BED	1	1	1	1	1		6P (#250LNE+S123)
5	S70 C87 315	ATW CONTROLLER	1	1	1	1	1		
6	S70 C05 408	WATER COIL ASSY (2HP HEATING ONLY)	1	1	1	1	1		
7	S70 C11 355	WATER PUMP	1	1	1	1	1	MP1	20,000 hrs (3 years)
8	S70 C01 452	MAGNETIC FILTER	1	1	1	1	1		
9	S70 C20 205	MANOMETER	1	1	1	1	1		6 years
10	S70 C18 404	PRESSURE RELIEF VALVE	1	1	1	1	1		3 bar/ 6 years
11	S70 C40 404	PRESSURE RELIEF VALVE		1	1	1	1		5 bar/ 6 years
12	S70 C60 096	FLARE JOINT	1	2	2	2	2		3/8F - R1/2
13	S70 C10 358	AIR VENT (MANUAL) (WATER CAP ASSY320)	1	1	1	1	1		6 years
14	S70 C94 266	FLOW SENSOR	1	1	1	1	1		
15	S70 C28 441	BOOSTER HEATER		1				BH1	1ø 230 V 2 kW
15	S70 C34 441	BOOSTER HEATER			1			BH1, BH2	1ø 230 V 6 kW
15	S70 C31 441	BOOSTER HEATER				1		BH1, BH2	3ø 400 V 9 kW
15	S70 C32 441	BOOSTER HEATER					1	BH1, BH2	3ø 220 V 9 kW
16	S70 C50 096	FLARE JOINT	1	2	2	2	2		3/8F - G3/8
17	S70 C17 150	AIR VENT (AUTOMATIC)	1	1	1	1	1		6 years
18	S70 C16 402	EXPANSION VESSEL		1	1	1	1		10 L
19	—	SADDLE BAND	4	3	3	3	3		[BK02F262G01]
20	S70 C10 358	DRAIN COCK (WATER CAP ASSY 320)	1	1	1	1	1		
21	S70 C23 460	O-RING	7	7	7	7	7		BLACK/ FOR QUICK CONNECTION
22	S70 C26 460	O-RING	2	2	2	2	2		BLACK/ FOR FLOW SENSOR
23	S70 C10 465	FASTENER	7	7	7	7	7		FOR QUICK CONNECTION
24	S70 C20 465	FASTENER	2	2	2	2	2		FOR FLOW SENSOR
25	S70 C01 800	GREASE	1	1	1	1	1		FOR QUICK CONNECTION

Do not reuse the O-ring or strainer packing that was once removed, but be sure to replace with a new one.

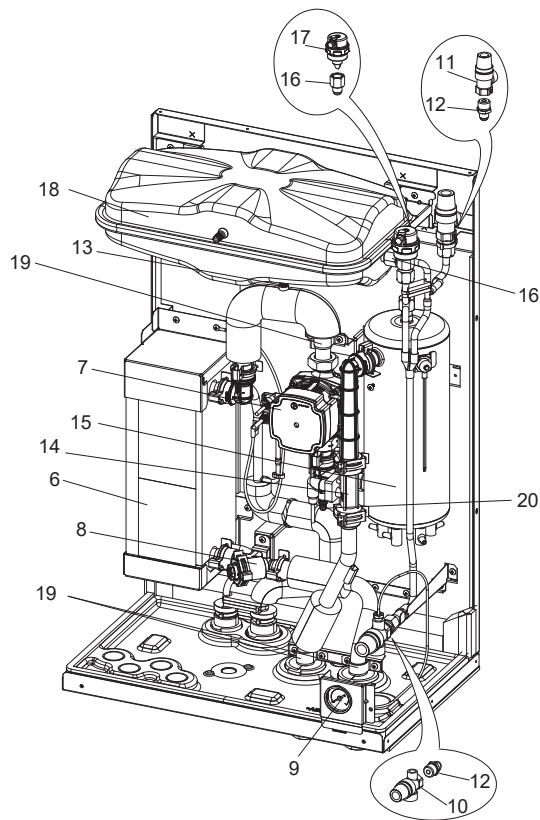
ERSD-VM2E.UK



ERSD-VM6E.UK
ERSD-YM9E.UK



ERSD-VM2E.UK
ERSD-VM6E.UK
ERSD-YM9E.UK



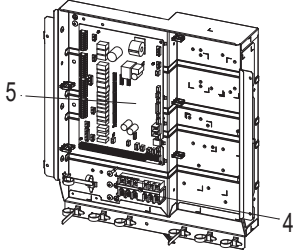


1. The part quantity below indicates the required number of pieces per unit.
2. The circled No. indicates that the part is not shown in the figure.

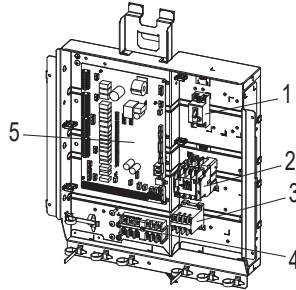
No.	Part No.	Parts name	ERSD-VM2E.UK	ERSD-VM6E.UK	ERSD-VM9E.UK	Wiring diagram symbol	Remarks [Drawing No.]
1	S70 C20 239	EARTH LEAKAGE BREAKER	1			ECB1	1ø 20 A
1	S70 C60 239	EARTH LEAKAGE BREAKER		1		ECB1	1ø 40 A
1	S70 C90 239	EARTH LEAKAGE BREAKER			1	ECB1	3ø 30 A
2	S70 C51 708	CONTACTOR	1				
2	S70 C49 708	CONTACTOR		1	1		45 A
3	S70 C39 708	CONTACTOR	1	2	2	BHCP, BHC1, BHC2	30 A
4	S70 C20 515	TERMINAL BED	1	1	1		6P (#250LNE+S123)
5	S70 C87 315	ATW CONTROLLER	1	1	1		
6	S70 C06 408	WATER COIL ASSY (2HP HEATING & COOLING)	1	1	1		MWA1
7	S70 C13 355	WATER PUMP	1	1	1	MP1	20,000 hrs (3 years)
8	S70 C01 452	MAGNETIC FILTER	1	1	1		
9	S70 C20 205	MANOMETER	1	1	1		6 years
10	S70 C18 404	PRESSURE RELIEF VALVE	1	1	1		3 bar/ 6 years
11	S70 C40 404	PRESSURE RELIEF VALVE	1	1	1		5 bar/ 6 years
12	S70 C60 096	FLARE JOINT	2	2	2		3/8F - R1/2
13	S70 C10 358	AIR VENT (MANUAL) (WATER CAP ASSY320)	1	1	1		6 years
14	S70 C94 266	FLOW SENSOR	1	1	1		
15	S70 C28 441	BOOSTER HEATER	1			BH1	1ø 230 V 2 kW
15	S70 C34 441	BOOSTER HEATER		1		BH1, BH2	1ø 230 V 6 kW
15	S70 C31 441	BOOSTER HEATER			1	BH1, BH2	3ø 400 V 9 kW
16	S70 C50 096	FLARE JOINT	2	2	2		3/8F - G3/8
17	S70 C17 150	AIR VENT (AUTOMATIC)	1	1	1		6 years
18	S70 C16 402	EXPANSION VESSEL	1	1	1		10 L
19	—	SADDLE BAND	3	3	3		[BK02F262G01]
20	S70 C10 358	DRAIN COCK (WATER CAP ASSY 320)	1	1	1		
21	S70 C23 460	O-RING	7	7	7		BLACK/ FOR QUICK CONNECTION
22	S70 C26 460	O-RING	2	2	2		BLACK/ FOR FLOW SENSOR
23	S70 C10 465	FASTENER	7	7	7		FOR QUICK CONNECTION
24	S70 C20 465	FASTENER	2	2	2		FOR FLOW SENSOR
25	S70 C01 800	GREASE	1	1	1		FOR QUICK CONNECTION

Do not reuse the O-ring or strainer packing that was once removed, but be sure to replace with a new one.

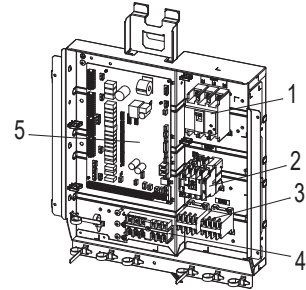
ERSF-MEE.UK



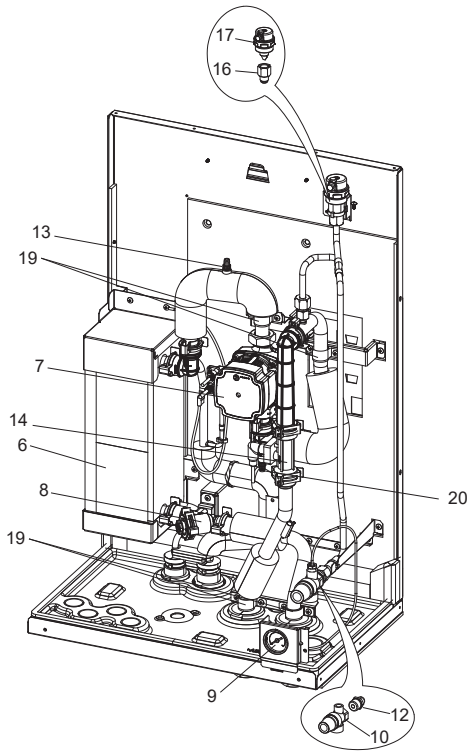
ERSF-VM2E.UK



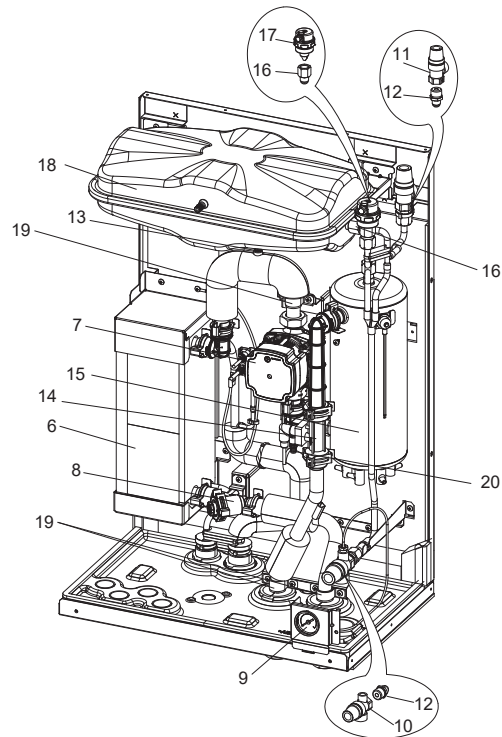
**ERSF-VM6E.UK
ERSF-YM9E.UK
ERSF-TM9E.UK**



ERSF-MEE.UK



**ERSF-VM2E.UK
ERSF-VM6E.UK
ERSF-YM9E.UK
ERSF-TM9E.UK**

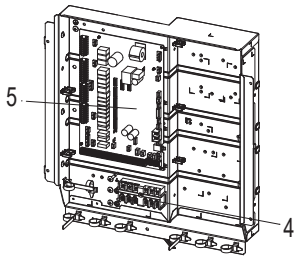


1. The part quantity below indicates the required number of pieces per unit.
2. The circled No. indicates that the part is not shown in the figure.

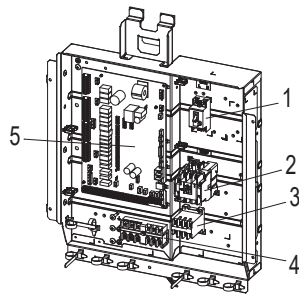
No.	Parts No.	Parts name	ERSF-MEE.UK	ERSF-VM2E.UK	ERSF-VM6E.UK	ERSF-VM9E.UK	ERSF-TM9E.UK	Wiring diagram symbol	Remarks [Drawing No.]
1	S70 C20 239	EARTH LEAKAGE BREAKER		1				ECB1	1ø 20 A
1	S70 C60 239	EARTH LEAKAGE BREAKER			1			ECB1	1ø 40 A
1	S70 C90 239	EARTH LEAKAGE BREAKER				1	1	ECB1	3ø 30 A
2	S70 C51 708	CONTACTOR		1					
2	S70 C49 708	CONTACTOR			1	1	1		45 A
3	S70 C39 708	CONTACTOR		1	2	2	2	BHCP, BHC1, BHC2	30 A
4	S70 C20 515	TERMINAL BED	1	1	1	1	1		6P (#250LNE+S123)
5	S70 C87 315	ATW CONTROLLER	1	1	1	1	1		
6	S70 C08 408	WATER COIL ASSY (5HP HEATING & COOLING)	1	1	1	1	1		MWA1-38
7	S70 C13 355	WATER PUMP	1	1	1	1	1	MP1	20,000 hrs (3 years)
8	S70 C01 452	MAGNETIC FILTER	1	1	1	1	1		
9	S70 C20 205	MANOMETER	1	1	1	1	1		6 years
10	S70 C18 404	PRESSURE RELIEF VALVE	1	1	1	1	1		3 bar/ 6 years
11	S70 C40 404	PRESSURE RELIEF VALVE		1	1	1	1		5 bar/ 6 years
12	S70 C60 096	FLARE JOINT	1	2	2	2	2		3/8F - R1/2
13	S70 C10 358	AIR VENT (MANUAL) (WATER CAP ASSY320)	2	2	2	2	2		6 years
14	S70 C94 266	FLOW SENSOR	1	1	1	1	1		
15	S70 C28 441	BOOSTER HEATER		1				BH1	1ø 230 V 2 kW
15	S70 C34 441	BOOSTER HEATER			1			BH1, BH2	1ø 230 V 6 kW
15	S70 C31 441	BOOSTER HEATER				1		BH1, BH2	3ø 400 V 9 kW
15	S70 C32 441	BOOSTER HEATER					1	BH1, BH2	3ø 220 V 9 kW
16	S70 C50 096	FLARE JOINT	1	2	2	2	2		3/8F - G3/8
17	S70 C17 150	AIR VENT (AUTOMATIC)	1	1	1	1	1		6 years
18	S70 C16 402	EXPANSION VESSEL		1	1	1	1		10 L
19	—	SADDLE BAND	4	3	3	3	3		[BK02F262G01]
20	S70 C10 358	DRAIN COCK (WATER CAP ASSY 320)	1	1	1	1	1		
21	S70 C23 460	O-RING	7	7	7	7	7		BLACK/ FOR QUICK CONNECTION
22	S70 C26 460	O-RING	2	2	2	2	2		BLACK/ FOR FLOW SENSOR
23	S70 C10 465	FASTENER	7	7	7	7	7		FOR QUICK CONNECTION
24	S70 C20 465	FASTENER	2	2	2	2	2		FOR FLOW SENSOR
25	S70 C01 800	GREASE	1	1	1	1	1		FOR QUICK CONNECTION

Do not reuse the O-ring or strainer packing that was once removed, but be sure to replace with a new one.

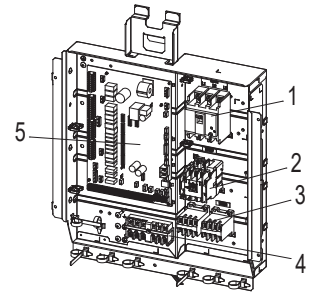
ERSC-MEE.UK



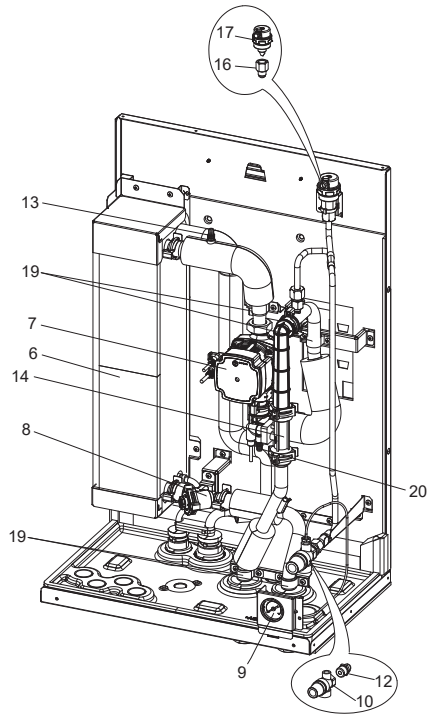
ERSC-VM2E.UK



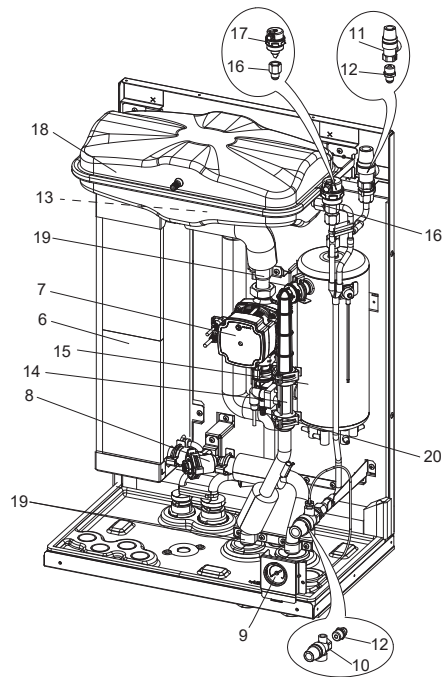
**ERSC-VM6E.UK
ERSC-YM9E.UK**

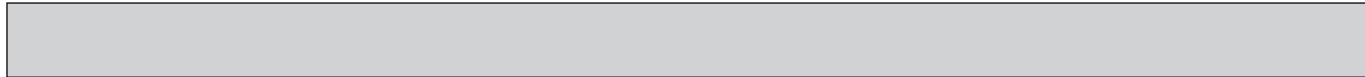


ERSC-MEE.UK



**ERSC-VM2E.UK
ERSC-VM6E.UK
ERSC-YM9E.UK**



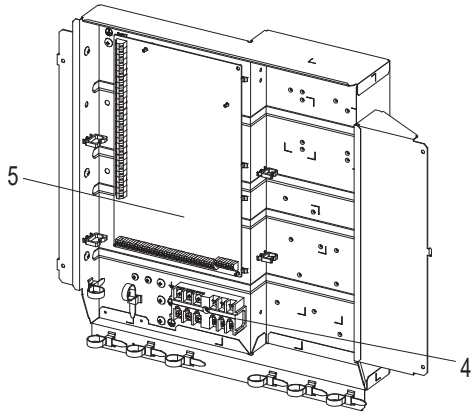


1. The part quantity below indicates the required number of pieces per unit.
2. The circled No. indicates that the part is not shown in the figure.

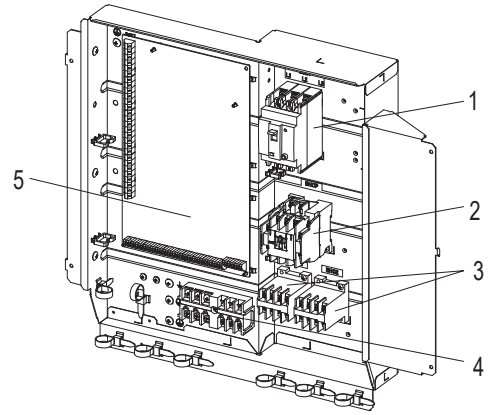
No.	Part No.	Parts name	ERSC-MEE.UK	ERSC-VM2E.UK	ERSC-VM6E.UK	ERSC-VM9E.UK	Wiring diagram symbol	Remarks [Drawing No.]
1	S70 C20 239	EARTH LEAKAGE BREAKER		1			ECB1	1ø 20 A
1	S70 C60 239	EARTH LEAKAGE BREAKER			1		ECB1	1ø 40 A
1	S70 C90 239	EARTH LEAKAGE BREAKER				1	ECB1	3ø 30 A
2	S70 C51 708	CONTACTOR		1				
2	S70 C49 708	CONTACTOR			1	1		45 A
3	S70 C39 708	CONTACTOR		1	2	2	BHCP, BHC1, BHC2	30 A
4	S70 C20 515	TERMINAL BED	1	1	1	1		6P (#250LNE+S123)
5	S70 C87 315	ATW CONTROLLER	1	1	1	1		
6	S70 C07 408	WATER COIL ASSY (5HP HEATING & COOLING)	1	1	1	1		MWA1-38
7	S70 C13 355	WATER PUMP	1	1	1	1	MP1	20,000 hrs (3 years)
8	S70 C01 452	MAGNETIC FILTER	1	1	1	1		
9	S70 C20 205	MANOMETER	1	1	1	1		6 years
10	S70 C18 404	PRESSURE RELIEF VALVE	1	1	1	1		3 bar/ 6 years
11	S70 C40 404	PRESSURE RELIEF VALVE		1	1	1		5 bar/ 6 years
12	S70 C60 096	FLARE JOINT	1	2	2	2		3/8F - R1/2
13	S70 C10 358	AIR VENT (MANUAL) (WATER CAP ASSY320)	2	2	2	2		6 years
14	S70 C94 266	FLOW SENSOR	1	1	1	1		
15	S70 C28 441	BOOSTER HEATER		1			BH1	1ø 230 V 2 kW
15	S70 C34 441	BOOSTER HEATER			1		BH1, BH2	1ø 230 V 6 kW
15	S70 C31 441	BOOSTER HEATER				1	BH1, BH2	3ø 400 V 9 kW
16	S70 C50 096	FLARE JOINT	1	2	2	2		3/8F - G3/8
17	S70 C17 150	AIR VENT (AUTOMATIC)	1	1	1	1		6 years
18	S70 C16 402	EXPANSION VESSEL		1	1	1		10 L
19	—	SADDLE BAND	4	3	3	3		[BK02F262G01]
20	S70 C10 358	DRAIN COCK (WATER CAP ASSY 320)	1	1	1	1		
(21)	S70 C23 460	O-RING	6	6	6	6		BLACK/ FOR QUICK CONNECTION
(22)	S70 C26 460	O-RING	2	2	2	2		BLACK/ FOR FLOW SENSOR
(23)	S70 C10 465	FASTENER	6	6	6	6		FOR QUICK CONNECTION
(24)	S70 C20 465	FASTENER	2	2	2	2		FOR FLOW SENSOR
(25)	S70 C01 800	GREASE	1	1	1	1		FOR QUICK CONNECTION

Do not reuse the O-ring or strainer packing that was once removed, but be sure to replace with a new one.

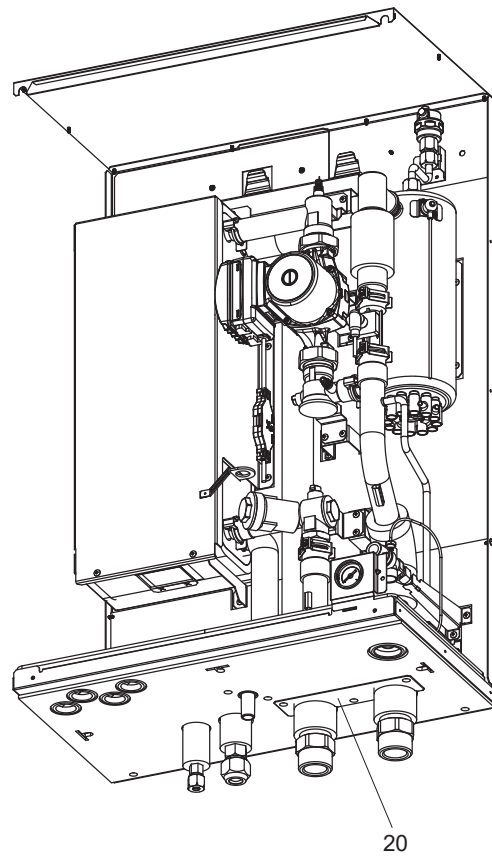
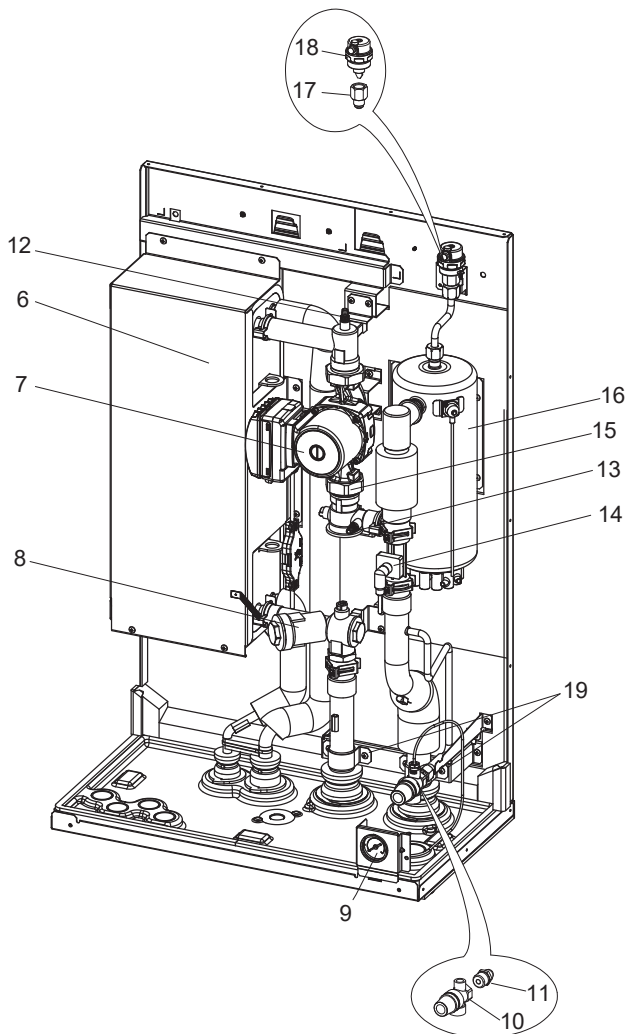
ERSE-MEE.UK



ERSE-YM9EE.UK



**ERSE-MEE.UK
ERSE-YM9EE.UK**

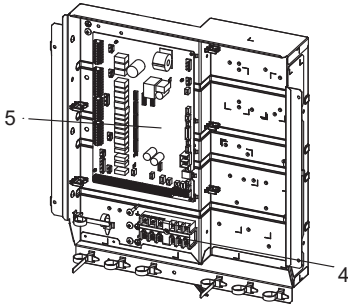


1. The part quantity below indicates the required number of pieces per unit.
2. The circled No. indicates that the part is not shown in the figure.

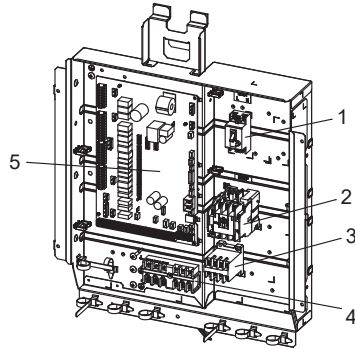
No.	Part No.	Parts name	ERSE-MEE.UK	ERSE-YM9EE.UK	Wiring diagram symbol	Remarks [Drawing No.]
1	S70 C90 239	EARTH LEAKAGE BREAKER		1	ECB1	3ø 30 A
2	S70 C49 708	CONTACTOR		1	BHCP	45 A
3	S70 C39 708	CONTACTOR		2	BHC1, BHC2	30 A
4	S70 C20 515	TERMINAL BED	1	1		6P/ (#250LNE+S123)
5	S70 C87 315	ATW CONTROLLER	1	1	FTC7	
6	S70 C65 408	WATER COIL ASSY (10HP HEATING & COOLING)	1	1		MWA2-72
7	S70 C15 355	WATER PUMP	1	1	MP1	20,000 hrs (3 years)
8	S70 C02 452	MAGNETIC FILTER	1	1		
9	S70 C20 205	MANOMETER	1	1		6 years
10	S70 C18 404	PRESSURE RELIEF VALVE	1	1		3 bar/ 6 years
11	S70 C60 096	FLARE JOINT	1	1		3/8F - R1/2
12	S70 C10 358	AIR VENT (MANUAL) (WATER CAP ASSY320)	1	1		6 years
13	S70 C10 358	DRAIN COCK (WATER CAP ASSY320)	1	1		6 years
14	S70 C12 266	FLOW SENSOR (BODY & CABLE)	1	1		
15	S70 C90 356	PUMP ELBOW	1	1		
16	S70 C27 441	BOOSTER HEATER	1			No-heating element
16	S70 C33 441	BOOSTER HEATER		1	BH1, BH2	3ø 400 V 9 kW
17	S70 C50 096	FLARE JOINT	1	1		3/8F - G3/8
18	S70 C17 150	AIR VENT (AUTOMATIC)	1	1		6 years
19	—	SADDLE BAND	2	2		[BK02F947G01]
20	—	WATER PIPE COVER	1	1		[BK00F949G01]
(21)	S70 C23 460	O-RING	4	4		BLACK/ FOR QUICK CONNECTION
(22)	S70 C26 460	O-RING	2	2		FOR FLOW SENSOR
(23)	S70 C29 460	O-RING	1	1		FOR STRAINER
(24)	S70 C10 465	FASTENER	4	4		FOR QUICK CONNECTION
(25)	S70 C20 465	FASTENER	3	3		FOR FLOW SENSOR & STRAINER
(26)	S70 C01 800	GREASE	1	1		FOR QUICK CONNECTION

Do not reuse the O-ring or strainer packing that was once removed, but be sure to replace with a new one.

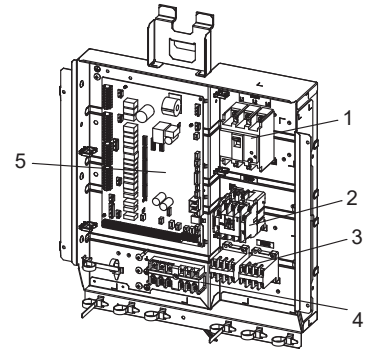
ERPX-ME.UK



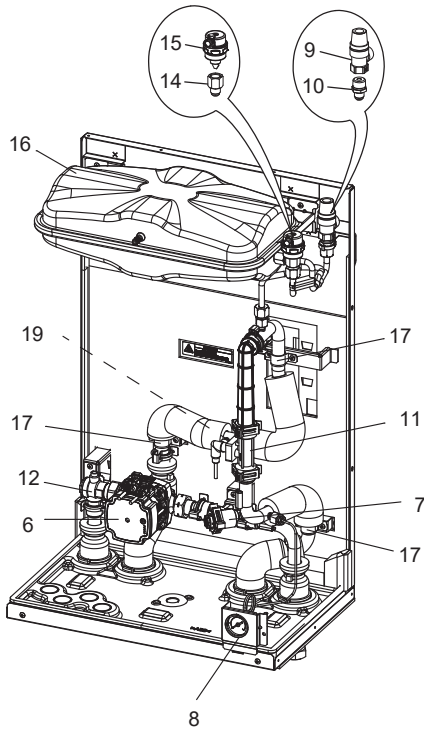
ERPX-VM2E.UK



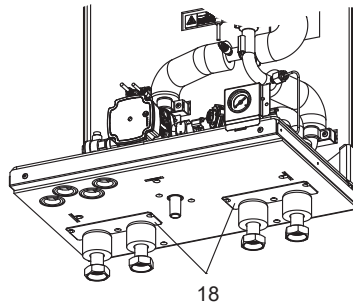
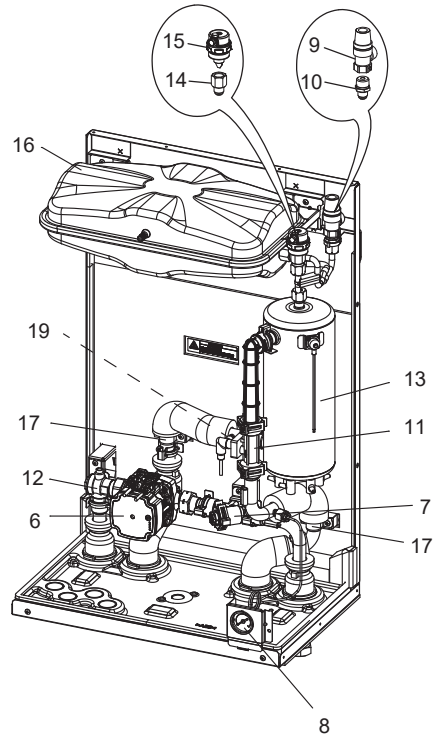
**ERPX-VM6E.UK
ERPX-YM9E.UK**



ERPX-ME.UK



**ERPX-VM2E.UK
ERPX-VM6E.UK
ERPX-YM9E.UK**



1. The part quantity below indicates the required number of pieces per unit.
 2. The circled No. indicates that the part is not shown in the figure.

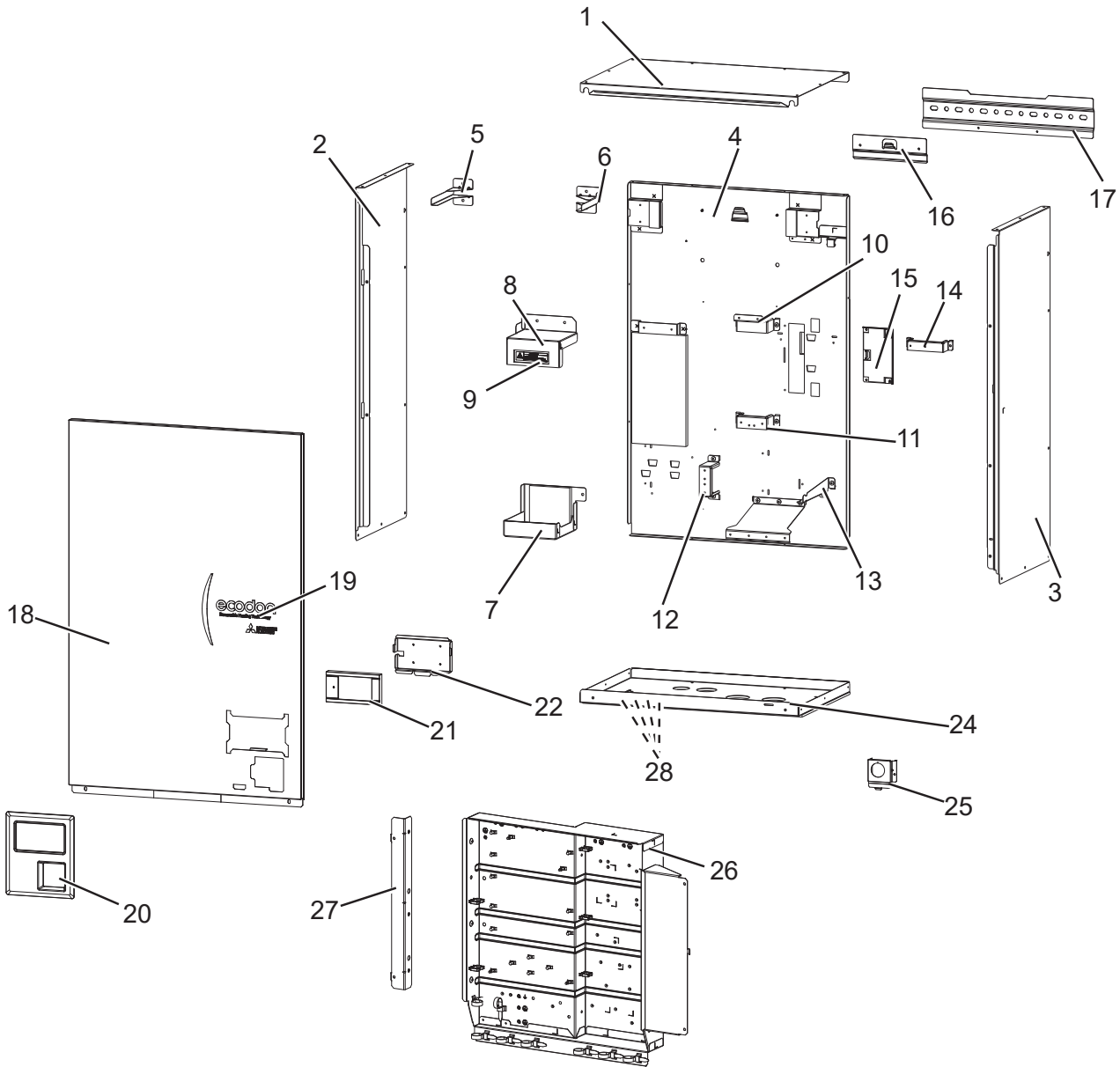
No.	Parts No.	Parts name	ERPX-ME.UK	ERPX-VM2E.UK	ERPX-VM6E.UK	ERPX-YM9E.UK	Wiring diagram symbol	Remarks [Drawing No.]
1	S70 C20 239	EARTH LEAKAGE CIRCUIT BREAKER		1			ECB1	1ø 20 A
1	S70 C60 239	EARTH LEAKAGE CIRCUIT BREAKER			1		ECB1	1ø 40 A
1	S70 C90 239	EARTH LEAKAGE CIRCUIT BREAKER				1	ECB1	3ø 30 A
2	S70 C51 708	CONTACTOR		1				
2	S70 C49 708	CONTACTOR			1	1		45 A
3	S70 C39 708	CONTACTOR		1	2	2	BHCP, BHC1, BHC2	30 A
4	S70 C20 515	TERMINAL BED	1	1	1	1		6P (250LNE+S123)
5	S70 C87 315	ATW CONTROLLER	1	1	1	1		
6	S70 C13 355	WATER PUMP	1	1	1	1		
7	S70 C01 452	MAGNETIC FILTER	1	1	1	1		
8	S70 C20 205	MANOMETER	1	1	1	1		
9	S70 C40 404	PRESSURE RELIEF VALVE	1	1	1	1		5 bar
10	S70 C60 096	FLARE JOINT	1	1	1	1		3/8F - R1/2
11	S70 C94 266	FLOW SENSOR	1	1	1	1		
12	S70 C70 356	PUMP ELBOW	1	1	1	1		
13	S70 C28 441	BOOSTER HEATER		1			BH1	1ø 230 V 2 kW
13	S70 C34 441	BOOSTER HEATER			1		BH1, BH2	1ø 230 V 6 kW
13	S70 C31 441	BOOSTER HEATER				1	BH1, BH2	3ø 400 V 9 kW
14	S70 C50 096	FLARE JOINT	2	2	2	2		3/8F - G3/8
15	S70 C17 150	AIR VENT (AUTOMATIC)	1	1	1	1		
16	S70 C16 402	EXPANSION VESSEL	1	1	1	1		10 L
17	—	SADDLE BAND	3	2	2	2		[BK02F262G01]
18	—	PIPE COVER-W	2	2	2	2		[BK00F352G01]
19	S70 C10 358	DRAIN COCK (WATER CAP ASSY 320)	1	1	1	1		
20	S70 C26 460	O-RING	2	2	2	2		BLACK/ FOR FLOW SENSOR
21	S70 C23 460	O-RING		2	2	2		BLACK/ FOR QUICK CONNECTION
22	S70 C10 465	FASTENER	6	6	6	6		FOR QUICK CONNECTION
23	S70 C20 465	FASTENER	2	2	2	2		FOR FLOW SENSOR
24	S70 C01 800	GREASE	1	1	1	1		FOR QUICK CONNECTION

Do not reuse the O-ring that was once removed, but be sure to replace with a new one.

EHSD-MEE.UK
EHSD-YM9E.UK

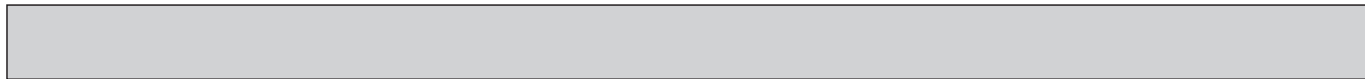
EHSD-VM2E.UK
EHSD-TM9E.UK

EHSD-VM6E.UK



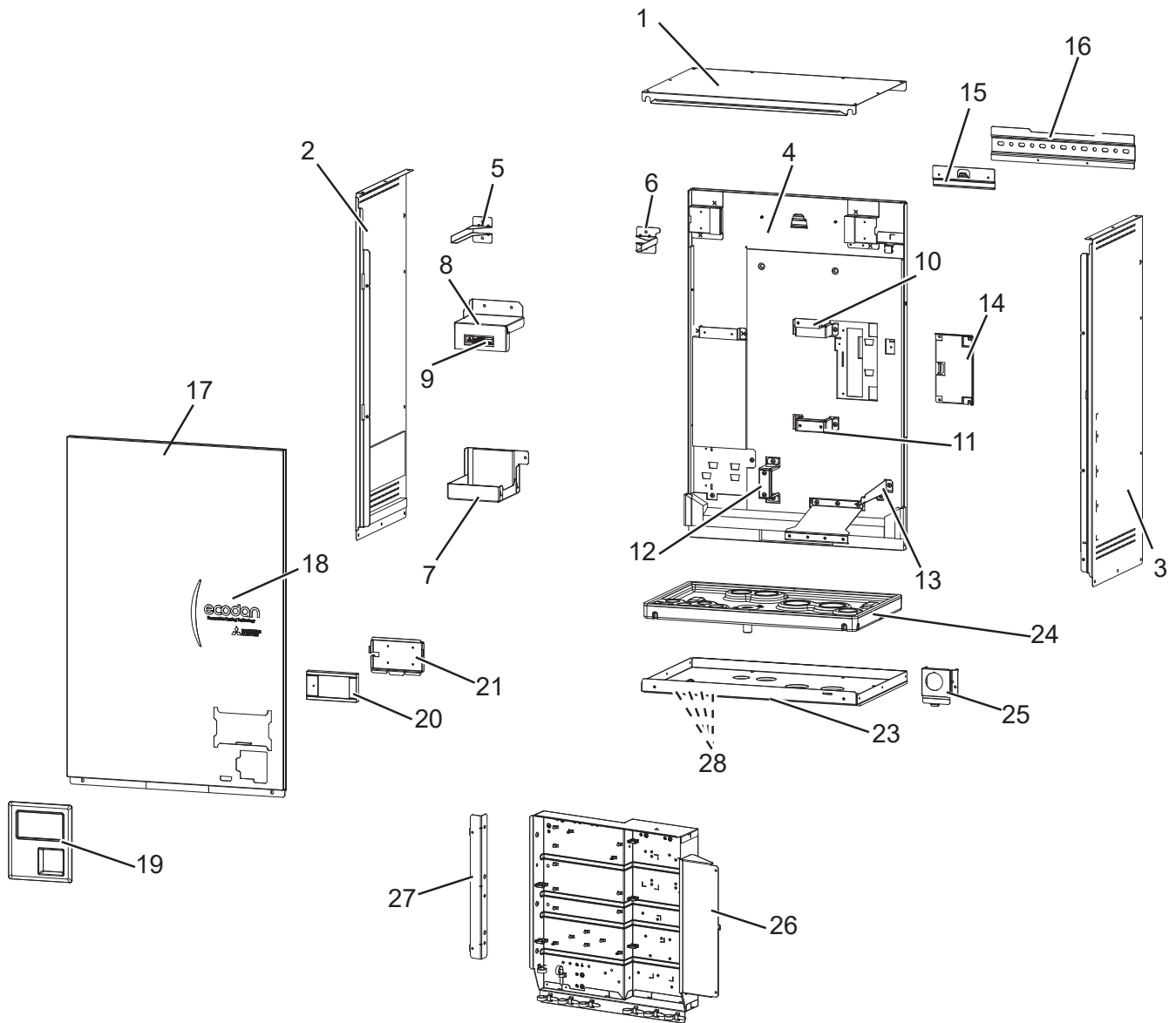
1. The part quantity below indicates the required number of pieces per unit.
2. The circled No. indicates that the part is not shown in the figure.

No.	Part No.	Parts name	EHSD-MEE.UK	EHSD-VM2E.UK	EHSD-VM6E.UK	EHSD-YM9E.UK	EHSD-TM9E.UK	Remarks [Drawing No.]
1	S70 C24 641	TOP PANEL	1	1	1	1	1	
2	S70 C47 662	SIDE PANEL L	1	1	1	1	1	
3	S70 C54 662	SIDE PANEL R	1					
3	S70 C46 662	SIDE PANEL R		1	1	1	1	
4	S70 H50 661	BACK PANEL ASSY	1					
4	S70 H51 661	BACK PANEL ASSY		1	1	1	1	



No.	Part No.	Parts name	EHSD-MEE.UK	EHSD-VM2E.UK	EHSD-VM6E.UK	EHSD-YM9E.UK	EHSD-TM9E.UK	Remarks [Drawing No.]
5	—	EXPANSION VESSEL HOLDER (L)		1	1	1	1	[BK02L229G08]
6	—	EXPANSION VESSEL HOLDER (R)		1	1	1	1	[BK02L229G07]
7	—	WATER COIL BASE	1	1	1	1	1	[SQ00L725G02]
8	—	WATER COIL COVER	1	1	1	1	1	[JQ02B975G01]
9	—	NOTICE (HOT)	1	1	1	1	1	[RG79D709H02]
10	—	PUMP SUPPORT T	1	1	1	1	1	[RK02L630G01]
11	—	PUMP SUPPORT U	1	1	1	1	1	[RK02L631G02]
12	—	STRAINER SUPPORT	1	1	1	1	1	[BK02R947G01]
13	—	PRV SUPPORT	1	1	1	1	1	[BK02R938G01]
14	—	PIPE SUPPORT	1					[RK02J171G01]
15	—	HEATER STAY		1	1	1	1	[SQ02L729G01]
16	S71 490 G01	BACK PANEL HOOK	1	1	1	1	1	
17	—	BACK PLATE	1	1	1	1	1	ACCESSORY [BK02J443G01]
18	S70 C40 668	FRONT PANEL ASSY	1	1	1	1	1	
19	S70 C76 699	BRAND LABEL	1	1	1	1	1	
20	S70 C41 710	REMOCON HOLDER	1	1	1	1	1	
21	S70 C81 200	REMOCON ASSY	1	1	1	1	1	
22	S70 C10 710	REMOCON SUPPORT	1	1	1	1	1	
23	S70 C38 699	WIRING DIAGRAM & ELECTRIC NOTICE	1					FOR FRONT PANEL
23	S70 C39 699	WIRING DIAGRAM & ELECTRIC NOTICE		1				FOR FRONT PANEL
23	S70 C41 699	WIRING DIAGRAM & ELECTRIC NOTICE			1			FOR FRONT PANEL
23	S70 C42 699	WIRING DIAGRAM & ELECTRIC NOTICE				1		FOR FRONT PANEL
23	S70 C47 699	WIRING DIAGRAM & ELECTRIC NOTICE					1	FOR FRONT PANEL
24	S70 H01 686	BASE DWG	1	1	1	1	1	
25	S70 C66 206	MANOMETER HOLDER	1	1	1	1	1	
26	—	CONTROL BOX	1					Includes No.29 [DY00Y135G10]
26	—	CONTROL BOX		1				Includes No.29 [DY00Y135G07]
26	—	CONTROL BOX			1			Includes No.29 [DY00Y135G08]
26	—	CONTROL BOX				1	1	Includes No.29 [DY00Y135G09]
27	—	CONTROL BOX BRACKET L	1	1	1	1	1	[RK00L268G01]
28	S70 C31 306	BUSH (X)	4	4	4	4	4	FOR CABLE
29	S70 C66 202	THERMISTOR (flow water temp & return water temp)	1	1	1	1	1	THW1/2
30	S70 C56 202	THERMISTOR (liquid refrigerant temp)	1	1	1	1	1	TH2
31	S70 C55 460	GASKET 1"	2	2	2	2	2	1"
32	S70 C77 460	GASKET 3/8"		1	1	1	1	3/8"
33	S70 C88 460	GASKET 1/4"	1	1	1	1	1	1/4"

ERSD-VM2E.UK ERSD-VM6E.UK ERSD-YM9E.UK



1. The part quantity below indicates the required number of pieces per unit.
 2. The circled No. indicates that the part is not shown in the figure.

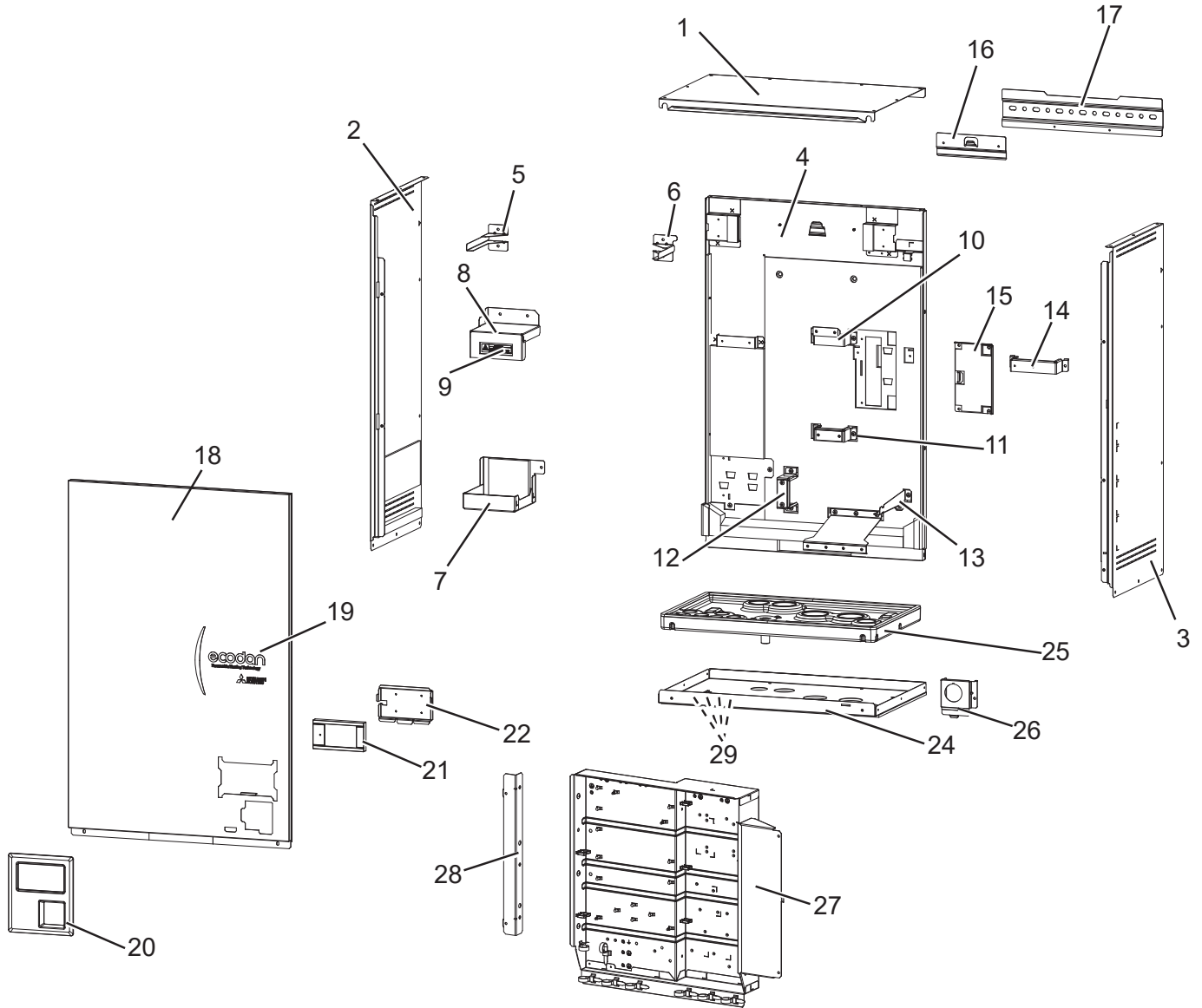
No.	Part No.	Parts name	ERSD-VM2E.UK	ERSD-VM6E.UK	ERSD-YM9E.UK	Remarks [Drawing No.]
1	S70 C24 641	TOP PANEL	1	1	1	
2	S70 C49 662	SIDE PANEL L	1	1	1	
3	S70 C60 662	SIDE PANEL R	1	1	1	Includes LABEL
4	S70 H52 661	BACK PANEL ASSY	1	1	1	

No.	Part No.	Parts name	ERSD-VM2E.UK	ERSD-VM6E.UK	ERSD-VM9E.UK	Remarks [Drawing No.]
5	—	EXPANSION VESSEL HOLDER (L)	1	1	1	[BK02L229G08]
6	—	EXPANSION VESSEL HOLDER (R)	1	1	1	[BK02L229G07]
7	—	WATER COIL BASE	1	1	1	[SQ00L725G02]
8	—	WATER COIL COVER	1	1	1	[JQ02B975G01]
9	—	NOTICE (HOT)	1	1	1	[RG79D709H02]
10	—	PUMP SUPPORT T	1	1	1	[RK02L630G01]
11	—	PUMP SUPPORT U	1	1	1	[RK02L631G02]
12	—	STRAINER SUPPORT	1	1	1	[BK02R947G01]
13	—	PRV SUPPORT	1	1	1	[BK02R938G01]
14	—	HEATER STAY	1	1	1	[SQ00L728G01]
15	S71 490 G01	BACK PANEL HOOK	1	1	1	
16	—	BACK PLATE	1	1	1	ACCESSORY [BK02J443G01]
17	S70 C40 668	FRONT PANEL ASSY	1	1	1	
18	S70 C76 699	BRAND LABEL	1	1	1	
19	S70 C41 710	REMOCON HOLDER	1	1	1	
20	S70 C81 200	REMOCON ASSY	1	1	1	
21	S70 C10 711	REMOCON SUPPORT	1	1	1	
22	S70 C39 699	WIRING DIAGRAM & ELECTRIC NOTICE	1			FOR FRONT PANEL
22	S70 C41 699	WIRING DIAGRAM & ELECTRIC NOTICE		1		FOR FRONT PANEL
22	S70 C42 699	WIRING DIAGRAM & ELECTRIC NOTICE			1	FOR FRONT PANEL
23	S70 H02 686	BASE ASSY	1	1	1	
24	—	DRAIN PAN ASSY	1	1	1	[SQ00L727G01]
25	S70 C66 206	MANOMETER HOLDER	1	1	1	
26	—	CONTROL BOX	1			Includes No.29 [DY00Y135G07]
26	—	CONTROL BOX		1		Includes No.29 [DY00Y135G08]
26	—	CONTROL BOX			1	Includes No.29 [DY00Y135G09]
27	—	CONTROL BOX BRACKET L	1	1	1	[RK00L268G01]
28	S70 C31 306	BUSH (X)	4	4	4	For CABLE
29	S70 C66 202	THERMISTOR (flow water temp & return water temp)	1	1	1	THW1/2
30	S70 C56 202	THERMISTOR (liquid refrigerant temp)	1	1	1	TH2
31	S70 C55 460	GASKET 1"	4	4	4	1"
32	S70 C77 460	GASKET 3/8"	1	1	1	3/8"
33	S70 C88 460	GASKET 1/4"	1	1	1	1/4"

ERSF-MEE.UK
ERSF-YM9E.UK

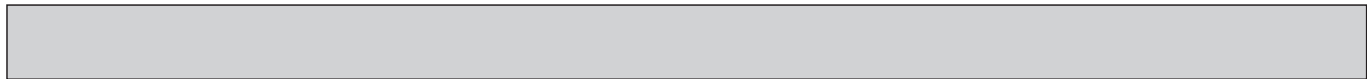
ERSF-VM2E.UK
ERSF-TM9E.UK

ERSF-VM6E.UK



1. The part quantity below indicates the required number of pieces per unit.
2. The circled No. indicates that the part is not shown in the figure.

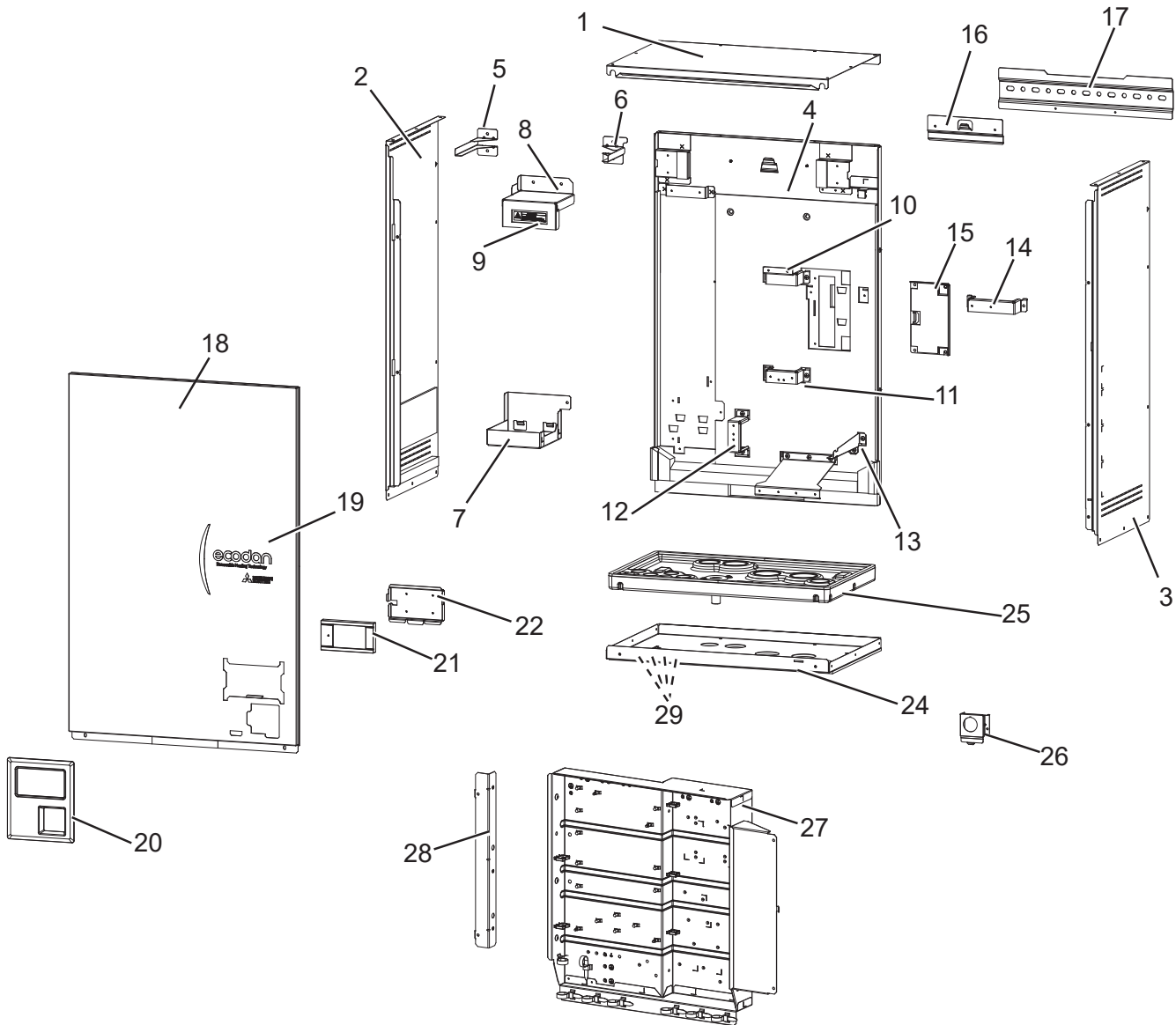
No.	Part No.	Parts name	ERSF-MEE.UK	ERSF-VM2E.UK	ERSF-VM6E.UK	ERSF-YM9E.UK	ERSF-TM9E.UK	Remarks [Drawing No.]
1	S70 C24 641	TOP PANEL	1	1	1	1	1	
2	S70 C49 662	SIDE PANEL L	1	1	1	1	1	
3	S70 C52 662	SIDE PANEL R	1					
3	S70 C60 662	SIDE PANEL R		1	1	1	1	
4	S70 H55 661	BACK PANEL ASSY	1					
4	S70 H56 661	BACK PANEL ASSY		1	1	1	1	



No.	Part No.	Parts name	ERSF-MEE.UK	ERSF-VM2E.UK	ERSF-VM6E.UK	ERSF-VM9E.UK	ERSF-TM9E.UK	Remarks [Drawing No.]
5	—	EXPANSION VESSEL HOLDER (L)		1	1	1	1	[BK02L229G08]
6	—	EXPANSION VESSEL HOLDER (R)		1	1	1	1	[BK02L229G07]
7	—	WATER COIL BASE	1	1	1	1	1	[SQ00L725G01]
8	—	WATER COIL COVER	1	1	1	1	1	[SQ00L730G01]
9	—	NOTICE (HOT)	1	1	1	1	1	[RG79D709H02]
10	—	PUMP SUPPORT T	1	1	1	1	1	[RK02L630G01]
11	—	PUMP SUPPORT U	1	1	1	1	1	[RK02L631G02]
12	—	STRAINER SUPPORT	1	1	1	1	1	[BK02R947G01]
13	—	PRV SUPPORT	1	1	1	1	1	[BK02R938G01]
14	—	PIPE SUPPORT	1					[RK02J171G01]
15	—	HEATER STAY		1	1	1	1	[SQ00L728G01]
16	S71 490 G01	BACK PANEL HOOK	1	1	1	1	1	
17	—	BACK PLATE	1	1	1	1	1	ACCESSORY [BK02J443G01]
18	S70 C40 668	FRONT PANEL ASSY	1	1	1	1	1	
19	S70 C76 699	BRAND LABEL	1	1	1	1	1	
20	S70 C41 710	REMOCON HOLDER	1	1	1	1	1	
21	S70 C81 200	REMOCON ASSY	1	1	1	1	1	
22	S70 C10 711	REMOCON SUPPORT	1	1	1	1	1	
23	S70 C38 699	WIRING DIAGRAM & ELECTRIC NOTICE	1					FOR FRONT PANEL
23	S70 C39 699	WIRING DIAGRAM & ELECTRIC NOTICE		1				FOR FRONT PANEL
23	S70 C41 699	WIRING DIAGRAM & ELECTRIC NOTICE			1			FOR FRONT PANEL
23	S70 C42 699	WIRING DIAGRAM & ELECTRIC NOTICE				1		FOR FRONT PANEL
23	S70 C47 699	WIRING DIAGRAM & ELECTRIC NOTICE					1	FOR FRONT PANEL
24	S70 H02 686	BASE ASSY	1	1	1	1	1	
25	—	DRAIN PAN ASSY	1	1	1	1	1	[SQ00L727G01]
26	S70 C66 206	MANOMETER HOLDER	1	1	1	1	1	
27	—	CONTROL BOX	1					Includes No.30 [DY00Y135G10]
27	—	CONTROL BOX		1				Includes No.30 [DY00Y135G07]
27	—	CONTROL BOX			1			Includes No.30 [DY00Y135G08]
27	—	CONTROL BOX				1	1	Includes No.30 [DY00Y135G09]
28	—	CONTROL BOX BRACKET L	1	1	1	1	1	[RK00L268G01]
29	S70 C31 306	BUSH (X)	4	4	4	4	4	For CABLE
30	S70 C66 202	THERMISTOR (flow water temp & return water temp)	1	1	1	1	1	THW1/2
31	S70 C56 202	THERMISTOR (liquid refrigerant temp)	1	1	1	1	1	TH2
32	S70 C55 460	GASKET 1"	2	2	2	2	2	1"
33	S70 C77 460	GASKET 3/8"		1	1	1	1	3/8"
34	S70 C88 460	GASKET 1/4"	1	1	1	1	1	1/4"

ERSC-MEE.UK
ERSC-VM6E.UK

ERSC-VM2E.UK
ERSC-YM9E.UK



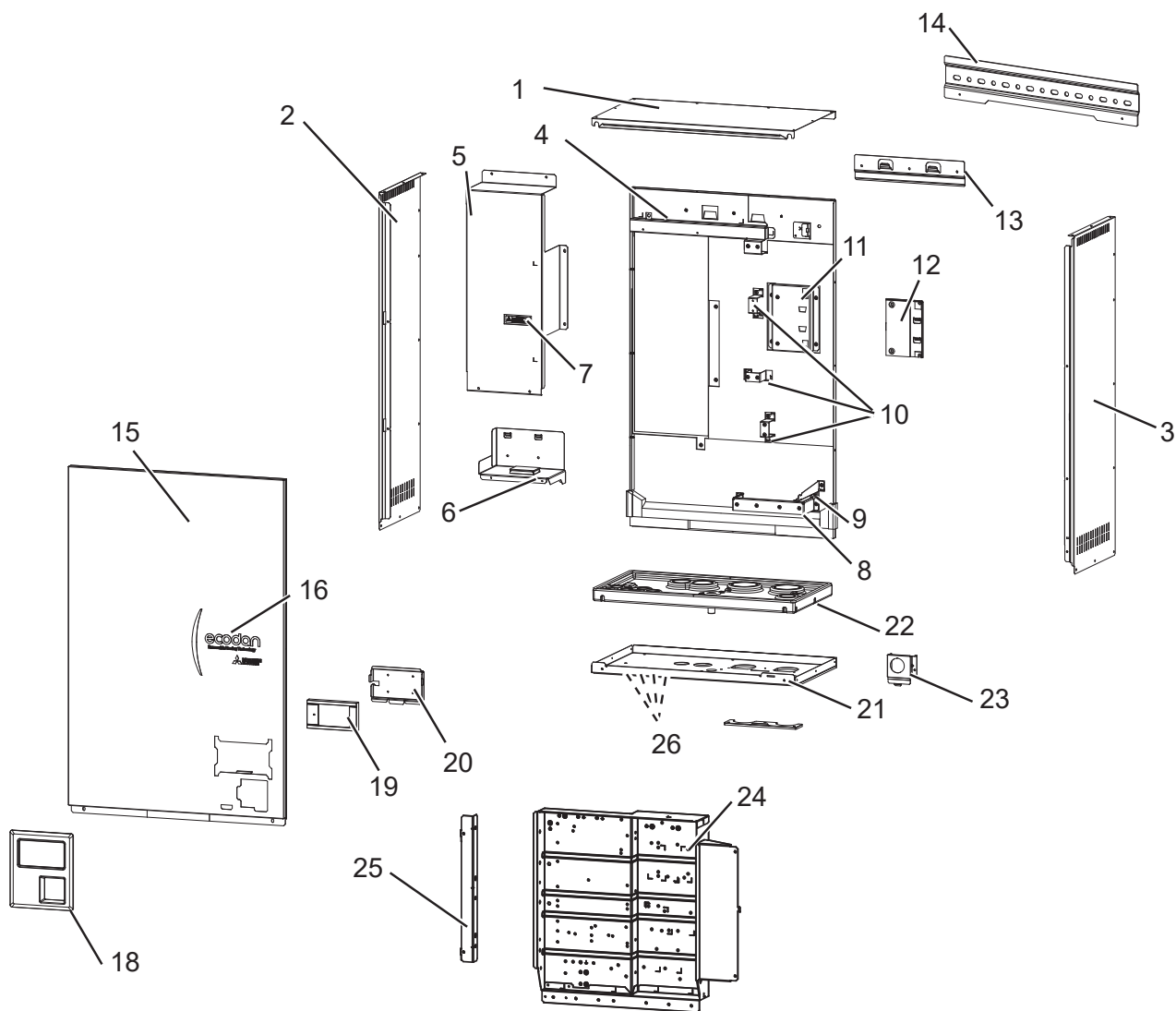
1. The part quantity below indicates the required number of pieces per unit.
2. The circled No. indicates that the part is not shown in the figure.

No.	Part No.	Parts name					Remarks [Drawing No.]
			ERSC-MEE.UK	ERSC-VM2E.UK	ERSC-VM6E.UK	ERSC-YM9E.UK	
1	S70 C24 641	TOP PANEL	1	1	1	1	
2	S70 C49 662	SIDE PANEL L	1	1	1	1	
3	S70 C52 662	SIDE PANEL R	1				Includes LABEL
3	S70 C60 662	SIDE PANEL R		1	1	1	Includes LABEL
4	S70 H53 661	BACK PANEL ASSY	1				
4	S70 H54 661	BACK PANEL ASSY		1	1	1	



No.	Part No.	Parts name	ERSC-MEE.UK	ERSC-VM2E.UK	ERSC-VM6E.UK	ERSC-VM9E.UK	Remarks [Drawing No.]
5	—	EXPANSION VESSEL HOLDER (L)		1	1	1	[BK02L229G08]
6	—	EXPANSION VESSEL HOLDER (R)		1	1	1	[BK02L229G07]
7	—	WATER COIL BASE	1	1	1	1	[JQ02Y756G01]
8	—	WATER COIL COVER	1	1	1	1	[JQ02B982G01]
9	—	NOTICE (HOT)	1	1	1	1	[RG79D709H02]
10	—	PUMP SUPPORT T	1	1	1	1	[RK02L630G01]
11	—	PUMP SUPPORT U	1	1	1	1	[RK02L631G02]
12	—	STRAINER SUPPORT	1	1	1	1	[BK02R947G01]
13	—	PRV SUPPORT	1	1	1	1	[BK02R938G01]
14	—	PIPE SUPPORT	1				[RK02J171G01]
15	—	HEATER STAY		1	1	1	[SQ00L728G01]
16	S71 490 G01	BACK PANEL HOOK	1	1	1	1	
17	—	BACK PLATE	1	1	1	1	ACCESSORY [BK02J443G01]
18	S70 C40 668	FRONT PANEL ASSY	1	1	1	1	
19	S70 C76 699	BRAND LABEL	1	1	1	1	
20	S70 C41 710	REMOCON HOLDER	1	1	1	1	
21	S70 C81 200	REMOCON ASSY	1	1	1	1	
22	S70 C10 711	REMOCON SUPPORT	1	1	1	1	
23	S70 C38 699	WIRING DIAGRAM & ELECTRIC NOTICE	1				FOR FRONT PANEL
23	S70 C39 699	WIRING DIAGRAM & ELECTRIC NOTICE		1			FOR FRONT PANEL
23	S70 C41 699	WIRING DIAGRAM & ELECTRIC NOTICE			1		FOR FRONT PANEL
23	S70 C42 699	WIRING DIAGRAM & ELECTRIC NOTICE				1	FOR FRONT PANEL
24	S70 H02 686	BASE ASSY	1	1	1	1	
25	—	DRAIN PAN ASSY	1	1	1	1	[SQ00L727G01]
26	S70 C66 206	MANOMETER HOLDER	1	1	1	1	
27	—	CONTROL BOX	1				Includes No.30 [DY00Y135G10]
27	—	CONTROL BOX		1			Includes No.30 [DY00Y135G07]
27	—	CONTROL BOX			1		Includes No.30 [DY00Y135G08]
27	—	CONTROL BOX				1	Includes No.30 [DY00Y135G09]
28	—	CONTROL BOX BRACKET L	1	1	1	1	[RK00L268G01]
29	S70 C31 306	BUSH (X)	4	4	4	4	For CABLE
30	S70 C66 202	THERMISTOR (flow water temp & return water temp)	1	1	1	1	THW1/2
31	S70 C56 202	THERMISTOR (liquid refrigerant temp)	1	1	1	1	TH2
32	S70 C55 460	GASKET 1"	2	2	2	2	1"
33	S70 C77 460	GASKET 3/8"		1	1	1	3/8"
34	S70 C88 460	GASKET 1/4"	1	1	1	1	1/4"

ERSE-MEE.UK
ERSE-YM9EE.UK

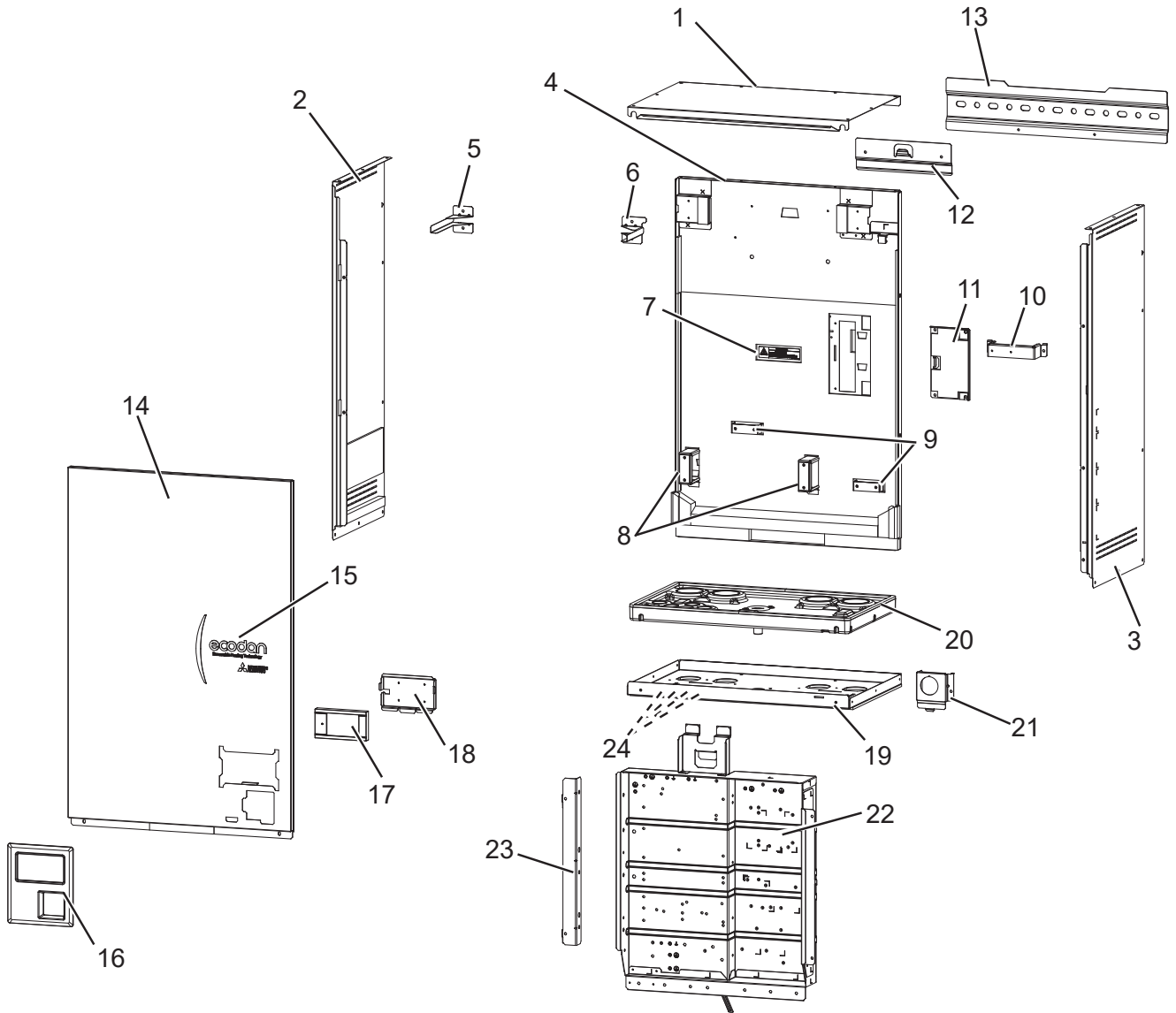


1. The part quantity below indicates the required number of pieces per unit.
2. The circled No. indicates that the part is not shown in the figure.

No.	Part No.	Parts name	ERSE-MEE.UK	ERSE-YM9EE.UK	Remarks [Drawing No.]
1	S70 C23 641	TOP PANEL	1	1	
2	S70 C53 662	SIDE PANEL L	1	1	
3	S70 C58 662	SIDE PANEL R	1	1	Includes LABEL
4	S70 H10 661	BACK PANEL	1	1	
5	—	WATER COIL COVER	1	1	[BK00T548G01]
6	—	WATER COIL BASE	1	1	[BK00T370G02]
7	—	NOTICE (HOT)	1	1	[RG79D709H02]
8	—	PIPE SUPPORT	1	1	[BK02T348G01]
9	—	PRV SUPPORT	1	1	[BK02R938G01]
10	—	STRAINER SUPPORT	3	3	[BK02T350G01]
11	—	BOOSTER HEATER BASE	1	1	[BK02N896G01]
12	—	HEATER STAY	1	1	[BK00F852G02]
13	S71 490 G01	BACK PANEL HOOK	1	1	
14	—	BACK PLATE	1	1	ACCESSORY [BK02N822G01]
15	S70 C42 668	FRONT PANEL ASSY	1	1	
16	S70 C76 699	BRAND LABEL	1	1	
17	S70 C38 699	WIRING DIAGRAM & ELECTRIC NOTICE	1		
17	S70 C42 699	WIRING DIAGRAM & ELECTRIC NOTICE		1	
18	S70 C41 710	REMOCON HOLDER	1	1	
19	S70 C81 200	REMOCON ASSY	1	1	
20	S70 C10 711	REMOCON SUPPORT	1	1	
21	S70 C27 686	BASE ASSY	1	1	Includes No.23
22	—	DRAIN PAN ASSY	1	1	[BK00T367G01]
23	S70 C66 206	MANOMETER HOLDER	1	1	
24	—	CONTROL BOX	1		Includes No.28 [RK00A630G08]
24	—	CONTROL BOX		1	Includes No.28 [RK00A630G09]
25	—	CONTROL BOX BRACKET L	1	1	[RK00L268G01]
26	S70 C31 306	BUSH	4	4	For CABLE
27	S70 C56 202	THERMISTOR (liquid refrigerant temp)	1	1	TH2
28	S70 C67 202	THERMISTOR (flow water temp & return water temp)	1	1	THW1/2
29	S70 C44 460	GASKET 1 1/2"	2	2	1 1/2"
30	S70 C88 460	GASKET 1/4"	1	1	1/4"

ERPX-ME.UK
ERPX-VM6E.UK

ERPX-VM2E.UK
ERPX-YM9E.UK



1. The part quantity below indicates the required number of pieces per unit.
2. The circled No. indicates that the part is not shown in the figure.

No.	Part No.	Parts name	ERPX-ME.UK	ERPX-VM2E.UK	ERPX-VM6E.UK	ERPX-VM9E.UK	Remarks [Drawing No.]
1	S70 C24 641	TOP PANEL	1	1	1	1	
2	S70 C49 662	SIDE PANEL L	1	1	1	1	
3	S70 C52 662	SIDE PANEL R	1	1	1	1	
4	S70 H47 661	BACK PANEL	1				
4	S70 H48 661	BACK PANEL		1	1	1	
5	—	EXPANSION VESSEL HOLDER (L)	1	1	1	1	[BK02L229G08]
6	—	EXPANSION VESSEL HOLDER (R)	1	1	1	1	[BK02L229G07]
7	—	NOTICE (HOT)	1	1	1	1	[RG79D709H02]
8	—	STRAINER SUPPORT	2	2	2	2	[BK02R947G01]
9	—	PIPE SUPPORT	2	2	2	2	[BK02F833G01]
10	—	PIPE SUPPORT	1				[RK02J171G01]
11	—	HEATER STAY		1	1	1	[SQ02L729G01]
12	S71 490 G01	BACK PANEL HOOK	1	1	1	1	
13	—	BACK PLATE	1	1	1	1	ACCESSORY [BK02J443G01]
14	S70 C40 668	FRONT PANEL ASSY	1	1	1	1	
15	S70 C76 699	BRAND LABEL	1	1	1	1	
16	S70 C41 710	REMOCON HOLDER	1	1	1	1	
17	S70 C81 200	REMOCON ASSY	1	1	1	1	
18	S70 C10 711	REMOCON SUPPORT	1	1	1	1	
19	S70 C28 686	BASE ASSY	1	1	1	1	
20	—	DRAIN PAN ASSY	1	1	1	1	[RK00R722G02]
21	S70 C66 206	MANOMETER HOLDER	1	1	1	1	
22	—	CONTROL BOX	1				Includes No.25 [DY00Y135G06]
22	—	CONTROL BOX		1			Includes No.25 [DY00Y135G07]
22	—	CONTROL BOX			1		Includes No.25 [DY00Y135G08]
22	—	CONTROL BOX				1	Includes No.25 [DY00Y135G09]
23	—	CONTROL BOX BRACKET L	1	1	1	1	[RK00L268G01]
24	S70 C31 306	BUSH (X)	4	4	4	4	FOR CABLE
25	S70 C66 202	THERMISTOR (liquid refrigerant temp.)	1	1	1	1	
26	S70 C55 460	GASKET 1"	2	2	2	2	1"
27	S70 C77 460	GASKET 3/8"	1	1	1	1	3/8"
28	S70 C88 460	GASKET 1/4"	1	1	1	1	1/4"
29	S70 C38 699	ELECTRIC NOTICE	1				
30	S70 C39 699	WIRING DIAGRAM & ELECTRIC NOTICE FOR FRONT PANEL		1			
30	S70 C41 699	WIRING DIAGRAM & ELECTRIC NOTICE FOR FRONT PANEL			1		
30	S70 C42 699	WIRING DIAGRAM & ELECTRIC NOTICE FOR FRONT PANEL				1	

2**OPTIONAL PARTS**

Parts name	Parts No.
WIRELESS REMOTE CONTROLLER	PAR-WT60R-E
WIRELESS RECEIVER	PAR-WR61R-E
REMOTE SENSOR	PAC-SE41TS-E
THERMISTOR	PAC-TH011-E
TANK THERMISTOR (5 m)	PAC-TH011TK2-E
TANK THERMISTOR (30 m)	PAC-TH011TKL2-E
HIGH TEMPERATURE THERMISTOR (5 m)	PAC-TH012HT-E
HIGH TEMPERATURE THERMISTOR (30 m)	PAC-TH012HTL-E
ecodan Wi-Fi INTERFACE	MAC-587IF-E1
2-ZONE KIT	PAC-TZ02-E2

mitsubishi electric corporation

HEAD OFFICE: TOKYO BUILDING, 2-7-3, MARUNOUCHI, CHIYODA-KU, TOKYO 100-8310, JAPAN